

The copying, distribution and utilization of this document as well as the communication of its contents to others without expressed authorization is prohibited. Offenders will be held liable for the payment of damages. All rights reserved in the event of the grant of a patent, utility model or ornamental design registration.

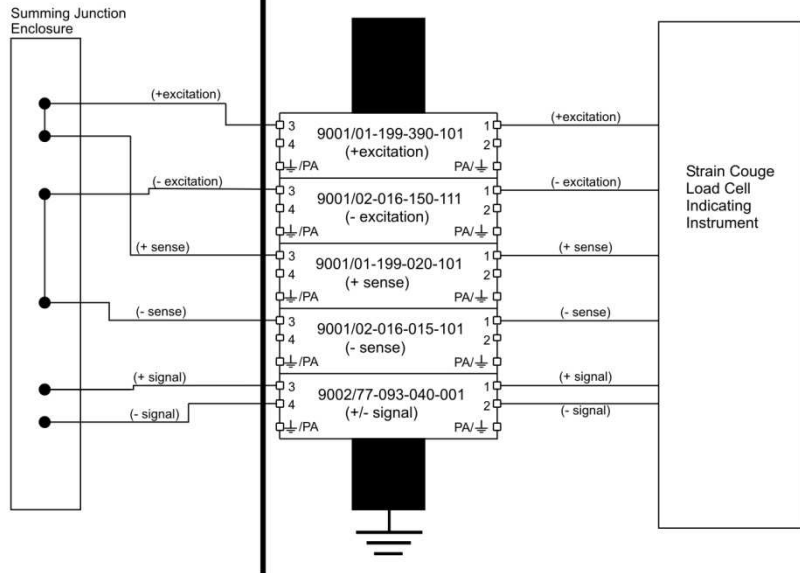
Weitergabe sowie Vervielfältigung dieses Dokuments, Verwertung und Mitteilung seines Inhalts sind verboten, soweit nicht ausdrücklich gestattet. Zuwiderhandlungen verpflichten zu Schadensersatz. Alle Rechte für den Fall der Patent-, Gebrauchsmuster- oder Geschmacksmustererträge vorbehalten.

**Safety Barrier Combination**  
**Max. Voltage ( $V_{oc}$ ) ( $V_t$ ) = 29.4 V**  
**Max. Current ( $I_{sc}$ ) ( $I_t$ ) = 581 mA**  
 **$C_a = 0.37 \mu F$**   
 **$L_a = 0.05 mH$**



**Hazardous Location**  
 Class I, II, III, Div.1, Groups D-G

**Nonhazardous Location**  
 or Div.2



**Operational Data**

9001/01-199-390-101 (+ excitation)  
 Rated Voltage + 16 V DC  
 Max. Voltage + 18 V DC  
 Internal Resistance 67  $\Omega$  + 0.7 V drop  
 Replaceable Fuse Current 160 mA

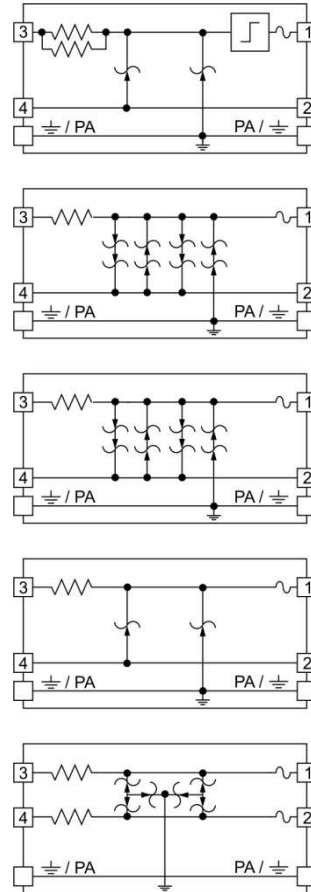
9001/02-016-150-111 (- excitation)  
 Rated Voltage  $\pm 0.7 V$   
 Max. Voltage  $\pm 1.0 V$  DC  
 Internal Resistance 20  $\Omega$   
 Replaceable Fuse Current 160 mA

9001/02-016-015-101 (- sense)  
 Rated Voltage  $\pm 0.7 V$   
 Max. Voltage  $\pm 1.0 V$   
 Internal Resistance 127  $\Omega$   
 Replaceable Fuse Current 160 mA

9001/01-199-020-101 (+ sense)  
 Rated Voltage + 16 V DC  
 Max. Voltage + 18 V DC  
 Internal Resistance 1218  $\Omega$   
 Replaceable Fuse Current 160 mA

9002/77-093-040-001 ( $\pm$  signal)  
 Rated Voltage  $\pm 6 V$  per channel  
 Max. Voltage  $\pm 7.7 V$  per channel  
 Internal Resistance 482  $\Omega$   
 Replaceable Fuse Current 160 mA

**Intrinsic Safety Barrier Circuit Schematics**



**This 5 Intrinsic Safety Barrier configuration provides intrinsically safe connections for Class I, II, III, Div.1, Groups D-G. Installation to be in accordance with ANSI/NFPA 70 NEC, Article 504 and ANSI/ISA- RP12.6 and the Manufacturer's Control Drawings 90 016 11 31 3, 90 026 11 31 3.**

F 4830 503

			1995	Date	Name	Certification drawing UL Listed Intrinsic Safety Barrier Configuration for +15 V DC Load Cell Excitation	Scale
			Drawn by	Oct.	Tobey		none
			Checked		Kaiser		Sheet 1 of 1
01	13.08.09	Reistle	<b>STAHL</b>			<b>9000-5UL</b>	Agency
Index	Date	Name					Rep. f.
							A4