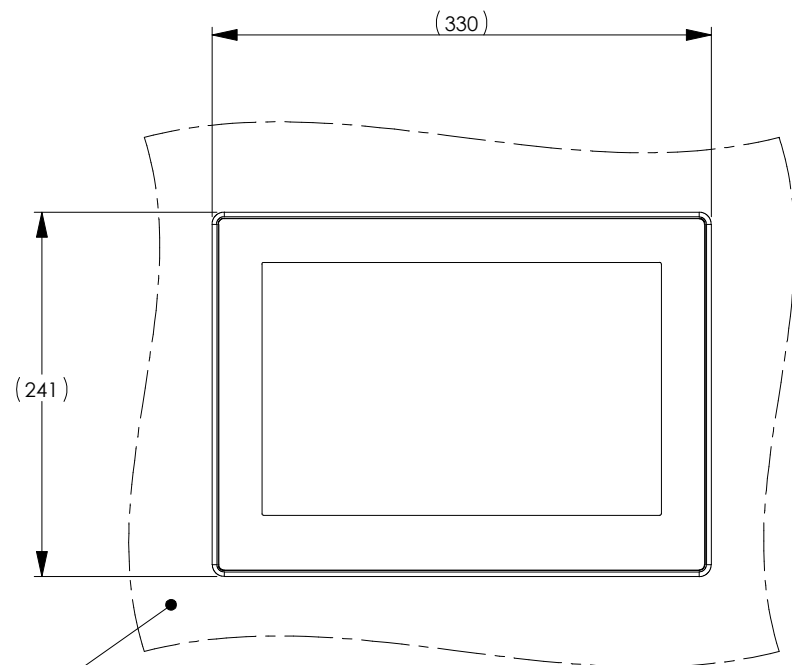


# ORCA 12" Panelmount Device with E-Box STD

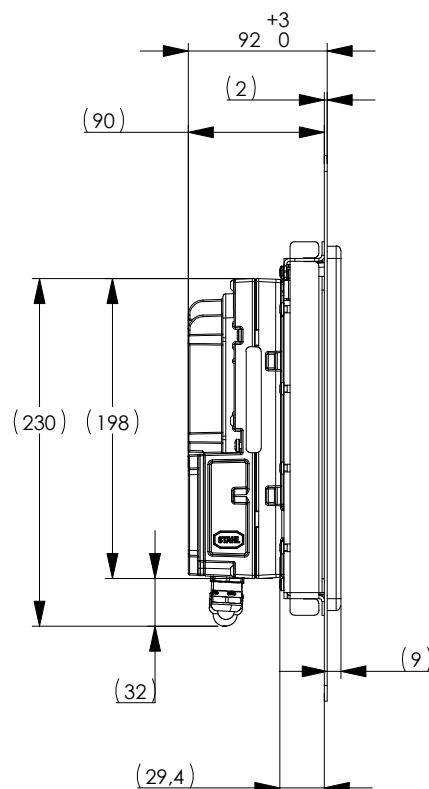
xx2Axxxx0...

All rights reserved. Without our express consent this image may not be copied, made available to third parties or used in any other way not intended by the owner. State of the art - subject to technical or design alterations.

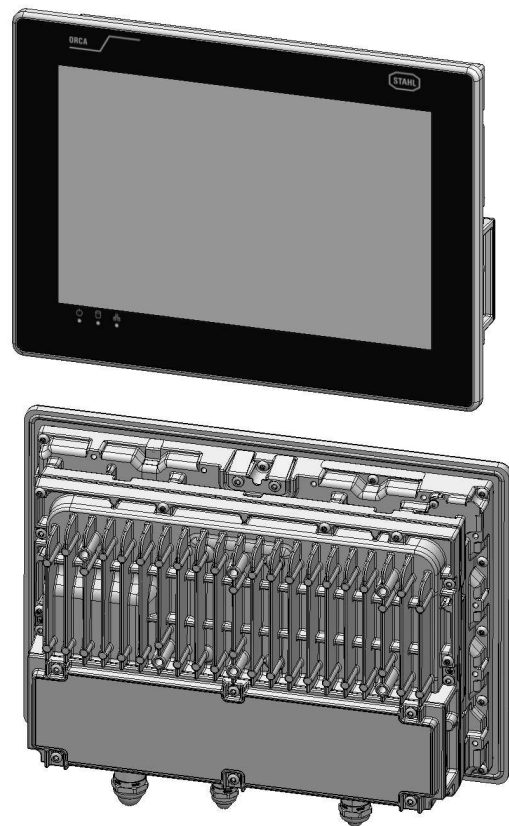
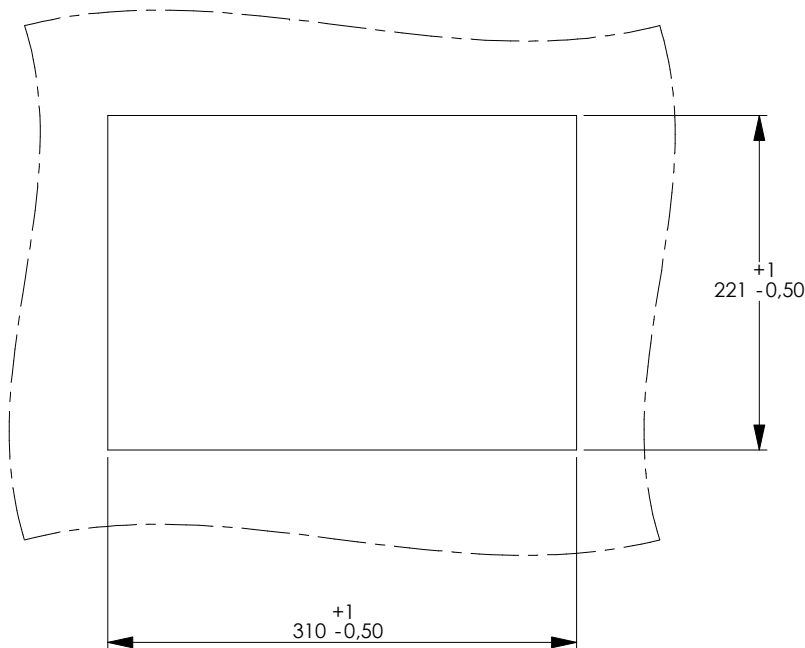
Alle Rechte vorbehalten ! Diese Zeichnung darf ohne unsere ausdrückliche Zustimmung weder vervielfältigt, noch Dritten zugänglich gemacht werden. Außerdem darf sie durch den Empfänger oder durch Dritte nicht in anderer Art und Weise mißbräuchlich verwendet werden. Stand der Technik - Technische bzw. konstruktive Änderungen vorbehalten.



Dummy Mounting panel



Wall cutout  
Thickness of wall: 1,5 - 12 mm



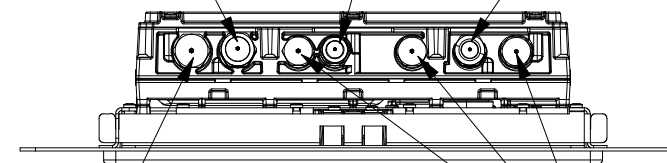
1x M20x1,5 Cable gland  
Cable diameter range: 6 - 12 mm  
Tightening torque: 8 Nm  
Width across flats (AF): 22 mm

1x M16x1,5 Cable gland  
Cable diameter range: 4 - 8 mm  
Tightening torque: 6 Nm  
Width across flats (AF): 19 mm and 17 mm

1x M16x1,5 Cable gland  
Cable diameter range: 5 - 10 mm  
Tightening torque: 5 Nm  
Width across flats (AF): 20 mm

M20x1,5 Blindplug  
Tightening torque: 8 Nm  
Width across flats (AF): 22 mm

M16x1,5 Blindplug  
Tightening torque: 6 Nm  
Width across flats (AF): 19 mm

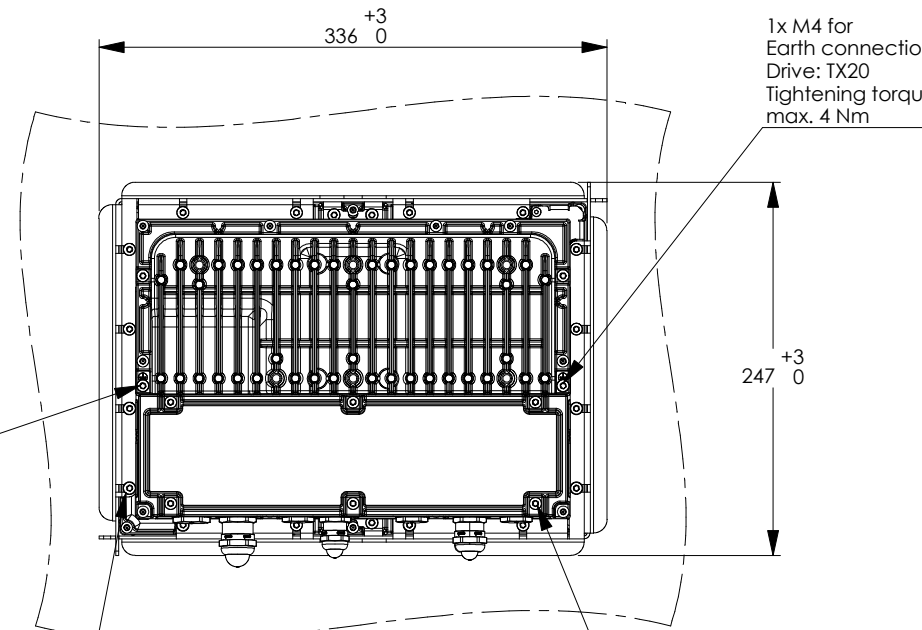


1x M4 for Earth connection  
Drive: TX20  
Tightening torque: max. 4 Nm

1x M4 for Earth connection  
Drive: TX20  
Tightening torque: max. 4 Nm

16x M4 for mounting frame  
Drive: TX20  
Tightening torque: 3,5 +0,5/-0 Nm

6x M4 screw for terminal lid  
Drive: TX20  
Tightening torque: 3,5 +0,5/-0 Nm



MATERIAL / FINISH:		UNLESS OTHERWISE SPECIFIED: DIMENSIONS ARE IN MILLIMETERS [inches]			<b>R. STAHL HMI Systems GmbH</b> Cologne - Germany www.stahl-hmi.de			
or depending on the order		TOLERANCES: DIN ISO 2768 mK DEBUR AND BREAK SHARP EDGES						
Rev.	Modification	Date	Drawn	Checked	SCALE: 1:5	Date	Drawn	Checked
					MAT.-NO.: -	30.11.2022	SL	DW
DRAWING NO. TITLE								
30601002 Rev00 E-Mx2A Main Assembly								
WEIGHT:		SURFACE:		A3		SHEET 1 OF 1		