



- Easy to maintain because standard NEOZED fuse links are used
- Practical: Defect fuse links can be seen from the outside
- For rated operational voltages up to 400 V and rated operational currents up to 25 A

E9

MY R. STAHL 8561A

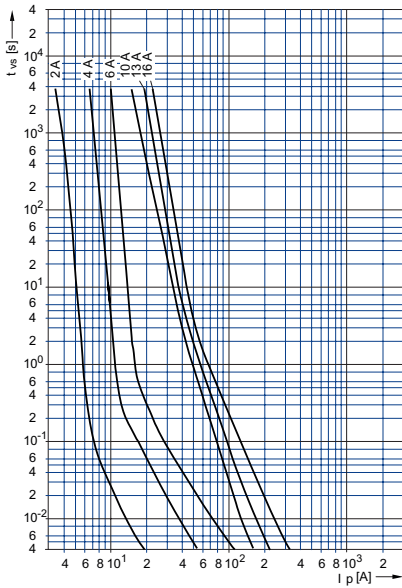


R. STAHL Series 8561/01 fuse elements primarily protect the consumer outputs in Ex e power distribution boards. Since they are equipped with standard NEOZED system fuse links, they are extremely easy to maintain and defective fuse links can be seen from the outside. They are designed for rated operational voltages up to 400 V and rated operational currents up to 25 A.

	IECEX / ATEX					
Zone	0	1	2	20	21	22
Installation in		•	•			

Selection Table				
Product Description	Fuse element			
Fuse insert type	Product Type	Art. No.	Weight	
D01	8561/01-01-...	149244	800 g	
D02	8561/01-02-...	149239	800 g	

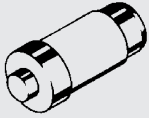
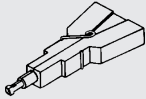
Technical Data	
Explosion Protection	
IECEX gas explosion protection	Ex de IIC
ATEX gas explosion protection	Ⓔ II 2 G Ex de IIC
Certificates	ATEX (PTB), Brazil (ULB), IECEX (PTB)
Electrical Data	
Rated operational voltage AC	400 V
Rated operational current	16 A
Ambient Conditions	
Ambient temperature	-20 °C ... +40 °C
Mechanical Data	
Enclosure material	Epoxy resin



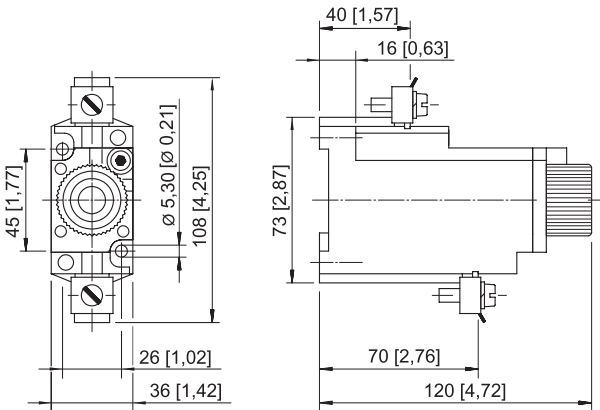
Time/current characteristic of the fuse links  
(tolerance range max.  $\pm 10\%$ )

### Spare Parts

Figure	Description	Art. No.	Weight
<b>Adaptor</b>			
	8561/01-01 10 A	111629	1 g
	8561/01-01 2 A	111633	1 g
	8561/01-01 4 A	111634	1 g
	8561/01-01 6 A	111628	1 g
	8561/01-02 20 A	111630	1 g
	8561/01-02 25 A	111635	1 g
<b>Cover for terminal connections</b>			
	IP10 cover	149225	8 g

Spare Parts			
Figure	Description	Art. No.	Weight
<b>Fuse link</b>			
	8561/01-01 16 A	111398	7 g
	8561/01-01 10 A	111399	6 g
	8561/01-01 2 A	111402	1 g
	8561/01-01 4 A	111401	6 g
	8561/01-01 6 A	111400	6 g
	8561/01-02 20 A	111397	12 g
	8561/01-02 25 A	111466	1 g
	<b>Special key</b>		
	for replacing the Neozed adaptor	149226	20 g

**Dimensional Drawings (All Dimensions in mm [inches]) – Subject to Alterations**



8561/01 fuse element