



- For installation in enclosure wall, enclosure cover, panels or control cabinets
- Installation using a single dia. 30 mm hole
- Beneficial LED technology: Extremely long service life, high luminance, low heat build-up
- Reliable explosion protection thanks to flameproof contact elements and lighting elements

E4

## MY R. STAHL 8018A



R. STAHL Series 8018 LED illuminated pushbuttons switch load, control and signal circuits and show command statuses via a light signal, the colour of which can be determined using the colour filter included in the delivery: Red, yellow, green, blue or white. The long-lasting LEDs ensure high luminance and minimal heat build-up. The buttons are supplied with a connection cable.

	IECEX / ATEX					
Zone	0	1	2	20	21	22
Installation in		•	•		•	•

	NEC® 500 CE Code Appendix J					
	Class I		Class II		Class III	
Division	1	2	1	2	1	2
Installation in		•				

	CE Code Section 18					
	NEC® 505			NEC® 506		
	Class I					
Zone	0	1	2	20	21	22
Installation in			•			

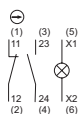
Selection Table					
Product variant LED illuminated pushbutton Ex e					
Contact material	Contacts	Product Type	Art. No.	Weight	
Silver-nickel	1 NC + 1 NO	8018/3113-al-6 UL	129769	740 g	
	2 NC	8018/3123-al-6 UL	129777	740 g	
	2 NO	8018/3133-al-6 UL	129784	740 g	
Silver-nickel, gold-plated	1 NC + 1 NO	8018/3113-al-6 UL	278907	740 g	
Product variant LED illuminated pushbutton Ex i					
Contact material	Contacts	Product Type	Art. No.	Weight	
Silver-nickel, gold-plated	1 NC + 1 NO	8018/3213-al-6 UL	210174	740 g	
	2 NC	8018/3223-al-6 UL	210175	740 g	
	2 NO	8018/3233-al-6 UL	210176	740 g	

The red, yellow, green, blue and white colour filters are included in the packaging.

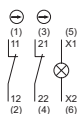
Technical Data		
Variant	LED illuminated pushbutton Ex e	LED illuminated pushbutton Ex i
Explosion Protection		
IECEX gas explosion protection	Ex db mb IIC T6 Gb	Ex db mb ia IIC T6 Gb
IECEX dust explosion protection	Ex tb IIIC T80 °C Db	Ex tb IIIC T80 °C Db
ATEX gas explosion protection	Ⓜ II 2 G Ex db mb IIC T6 Gb	Ⓜ II 2 G Ex db mb ia IIC T6 Gb
ATEX dust explosion protection	Ⓜ II 2 D Ex tb IIIC T80 °C Db	Ⓜ II 2 D Ex tb IIIC T80 °C Db
Certificates	ATEX (PTB), Canada (UL), China (CQST), IECEX (PTB), USA (UL)	ATEX (PTB), Canada (UL), China (CQST), IECEX (PTB), USA (UL)
Declaration of Conformity	ATEX (EUK), China (CCC)	ATEX (EUK), China (CCC)

Technical Data		
Variant	LED illuminated pushbutton Ex e	LED illuminated pushbutton Ex i
Explosion Protection		
Notes	Product label may vary. Series devices are labelled with ATEX, IECEX, NEC® and CE Code.	
Electrical Data		
Rated operational voltage AC	270 V	
Rated operational voltage DC		30 V
Rated operational voltage, indicator lamp part	12 (-10%) to 254 (+6%) V AC/DC	U <sub>i</sub> = 10.8 to 28 V DC
Rated operational current, indicator lamp part	0.014 A at 24 V DC	I <sub>i</sub> = 150 mA
Rated operational power	1 W	1 W
Frequency	0 to 60 Hz	
Electrical service life	10 <sup>8</sup> lighting hours	10 <sup>8</sup> lighting hours
Switching capacity AC-12	500 V / 6 A / max. 3000 VA	
Switching capacity AC-15	400 V / 6 A / max. 1250 VA	
Switching capacity DC-13	110 V / 1 A / max. 110 W	
Ambient Conditions		
Ambient temperature	-30 °C ... +60 °C	-30 °C ... +60 °C
Ambient temperature	-22 °F ... +140 °F	-22 °F ... +140 °F
Ambient temperature NEC®	-30 °C ... +60 °C	-30 °C ... +60 °C
Ambient temperature NEC®	-22 °F ... +140 °F	-22 °F ... +140 °F
Lighting Data		
Lamp	White LED	White LED
Luminous colour	White Blue Green Yellow Red	White Blue Green Yellow Red
Mechanical Data		
Enclosure material	Polyamide	Polyamide
Silicone-free	Yes	Yes
Conductor length	6 m	6 m
Conductor length, inches	236 in	236 in
Depth of cut-out	104.5 mm	104.5 mm
Mounting depth, inches	4.11 in	4.11 in

### Technical Drawings – Subject to Alterations



Schematic 8018/3.13  
The numbers in brackets correspond to the core marking



Schematic 8018/3.23  
The numbers in brackets correspond to the core marking



Schematic 8018/3.33  
The numbers in brackets correspond to the core marking

### Accessories



Figure	Description	Art. No.	Weight
	for illuminated pushbutton (spring return)	155163	19 g

# LED illuminated pushbutton for panel mounting

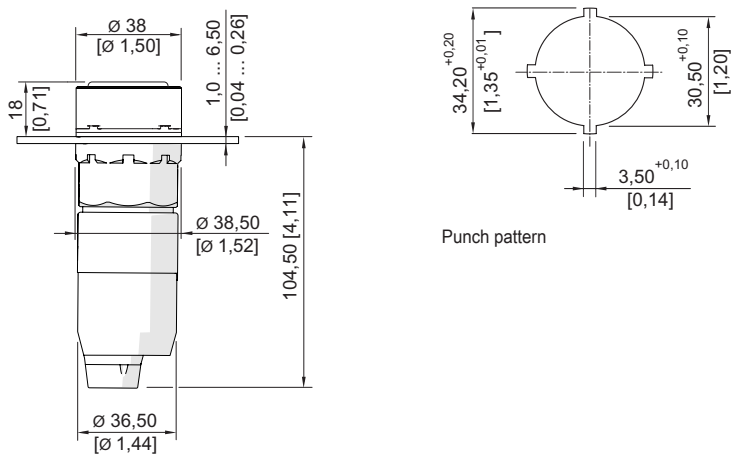
Series 8018 for ATEX/IECEX and NEC®/CE Code applications



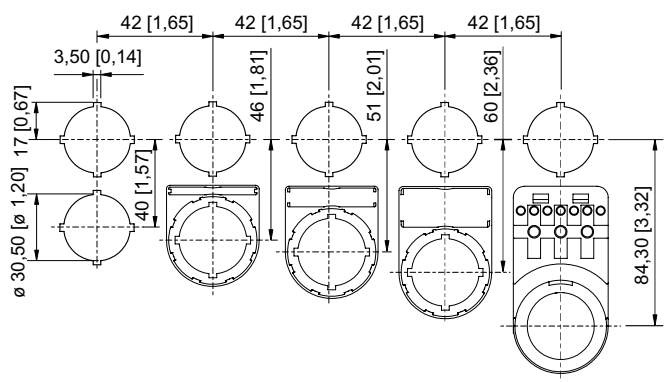
E4

Spare Parts			
Figure	Description	Art. No.	Weight
<b>Closing part</b>			
	8602C3-733-B for closing unused holes in cover, dia. 30.5 mm, NBR	244306	25 g
	8602C3-733-S for closing unused holes in cover, dia. 30.5 mm, silicone	244307	25 g
<b>Colour filter</b>			
	Colour filter for illuminated pushbutton 8018, all colours	155461	1 g
	for white illuminated pushbutton	155877	1 g
	for red illuminated pushbutton	155882	1 g
	for yellow illuminated pushbutton	155885	1 g
	for green illuminated pushbutton	155888	1 g
	for blue illuminated pushbutton	155891	1 g

## Dimensional Drawings (All Dimensions in mm [inches]) – Subject to Alterations



LED illuminated pushbutton



Cut-out with/without additional designation plate