



- Beneficial LED technology: Extremely long service life, high luminance, low heat build-up
- For installation in enclosure walls, enclosure covers, panels, control cabinets
- Versions with spring clamp terminal with or without connection chamber or versions with prefabricated connection cable and connection chamber are available

E4

MY R. STAHL 8013A



R. STAHL Series 8013 LED indicator lamps show command statuses via a light signal, the colour of which can be determined using the colour filter included in the delivery: Red, yellow, green, blue or white. The long-lasting LED ensures high luminance and low heat build-up. Versions with spring clamp terminal with or without connection chamber and versions with prefabricated connection cable and connection chamber are available.

	IECEX / ATEX					
Zone	0	1	2	20	21	22
Installation in		•	•		•	•

	NEC® 500 CE Code Appendix J					
	Class I		Class II		Class III	
Division	1	2	1	2	1	2
Installation in		•				

	CE Code Section 18					
	NEC® 505			NEC® 506		
	Class I					
Zone	0	1	2	20	21	22
Installation in		•	•			

Selection Table							
Product variant				Ex d e			
Connection	Conductor length	Conductor length, inches	Connection cross-section	Connection cross-section AWG	Product Type	Art. No.	Weight
Plug-in connection, connection cable	3 m	118.11 in	0,75 mm ²	–	8013/313-al-3 UL	216425	635 g
	6 m	236.22 in	0,75 mm ²	–	8013/313-al-6 UL	214311	625 g
	15 m	590.55 in	0,75 mm ²	–	8013/313-al-15 UL	216424	635 g
Spring terminal connection	–	–	0.75 ... 1.5 mm ²	18 AWG ... 12 AWG	8013/311-al UL	129095	130 g
		–	0.5 ... 2.5 mm ²	18 AWG ... 12 AWG	8013/312-al UL	129096	100 g
Product variant				Ex i			
Connection	Conductor length	Conductor length, inches	Connection cross-section	Connection cross-section AWG	Product Type	Art. No.	Weight
Plug-in connection, connection cable	6 m	236.22 in	0,75 mm ²	–	8013/323-al-6 UL	214312	635 g
Spring terminal connection	–	–	0.75 ... 1.5 mm ²	18 AWG ... 12 AWG	8013/321-al UL	129110	140 g
		–	0.5 ... 2.5 mm ²	18 AWG ... 12 AWG	8013/322-al UL	129111	110 g

The red, yellow, green, blue and white lenses are included in the packaging.

Technical Data				
Variant	Ex d e With connection chamber	Ex d e Without connection chamber	Ex i With connection chamber	Ex i Without connection chamber
Explosion Protection				
IECEX gas explosion protection	Ex db eb mb IIC T6 Gb	Ex db eb mb IIC Gb	Ex db mb ia IIC T6 Gb	Ex db mb ia IIC Gb
IECEX dust explosion protection	Ex tb IIIC T80 °C Db		Ex tb IIIC T80 °C Db	







Technical Data				
Variant	Ex d e With connection chamber	Ex d e Without connection chamber	Ex i With connection chamber	Ex i Without connection chamber
Explosion Protection				
ATEX gas explosion protection	Ⓔ II 2 G Ex db eb mb IIC T6 Gb	Ⓔ II 2 G Ex db eb mb IIC Gb	Ⓔ II 2 G Ex db mb ia IIC T6 Gb	Ⓔ II 2 G Ex db mb ia IIC Gb
ATEX dust explosion protection	Ⓔ II 2 D Ex tb IIIC T80 °C Db		Ⓔ II 2 D Ex tb IIIC T80 °C Db	
Certificates	ATEX (PTB), Canada (UL), China (CQST), IECEX (PTB), USA (UL)	ATEX (PTB), Canada (UL), China (CQST), IECEX (PTB), USA (UL)	ATEX (PTB), Canada (UL), China (CQST), IECEX (PTB), USA (UL)	ATEX (PTB), Canada (UL), China (CQST), IECEX (PTB), USA (UL)
Declaration of Conformity	ATEX (EUK), China (CCC)	Certificate of conformity (ATEX), China (CCC)	ATEX (EUK), China (CCC)	Certificate of conformity (ATEX), China (CCC)
Notes	Product label may vary. Series devices are labelled with ATEX, IECEX, NEC® and CE Code.			
Safety Data				
Max. capacitance Ci			Negligible	Negligible
Max. inductance Li			Negligible	Negligible
Max. voltage Ui			28 V	28 V
Max. current Ii			150 mA	150 mA
Max. power Pi			1 W	1 W
Electrical Data				
Rated operational voltage AC	12 – 254 V	12 – 254 V	10.8 – 28 V	10.8 – 28 V
Rated operational voltage DC	12 ... 254 V	12 ... 254 V	10.8 ... 28 V	10.8 ... 28 V
AC UL rated operational voltage	10.8 – 254 V	10.8 – 254 V	28 V	28 V
Voltage tolerance	-10 to +6%	-10 to +6%		
Rated operational current	2.5 mA	2.5 mA	12 mA	12 mA
Frequency	0 to 60 Hz	0 to 60 Hz	0 to 60 Hz	0 to 60 Hz
UL rated operational current			0.15 A	0.15 A
Rated operational power	0.6 W	0.6 W	0.6 W	0.6 W
Electrical service life	10 ⁵ lighting hours	10 ⁵ lighting hours	10 ⁵ lighting hours	10 ⁵ lighting hours
Ambient Conditions				
Ambient temperature	-30 °C ... +60 °C	-30 °C ... +60 °C	-30 °C ... +60 °C	-30 °C ... +60 °C
Ambient temperature	-22 °F ... +140 °F	-22 °F ... +140 °F	-22 °F ... +140 °F	-22 °F ... +140 °F
Lighting Data				
Lamp	White LED	White LED	White LED	White LED
Luminous colour	Blue Green Red White Yellow	Blue Green Red White Yellow	Blue Green Red White Yellow	Blue Green Red White Yellow
Mechanical Data				
Degree of protection (IP) (IEC 60529)	Reverse side IP65, front side IP66	Reverse side IP20, front side IP66	Reverse side IP65, front side IP66	Reverse side IP20, front side IP66
Silicone-free	Yes	Yes	Yes	Yes
Mounting / Installation				
Tightening torque	1.2 Nm	1.2 Nm	1.2 Nm	1.2 Nm
Tightening torque lbf in	10.62 lbf in	10.62 lbf in	10.62 lbf in	10.62 lbf in
Components				
Entry 1	1 x 8161/7-M16-0902		1 x 8161/8-M16-0902	
Entry 1 type	Polyamide cable gland, black		Polyamide cable gland, blue	
Entry 1	M16 x 1.5		M16 x 1.5	
Entry 1 terminal area	2-9 mm		2-9 mm	
Entry 1 clamping range, inch	0.08-0.35 in		0.08-0.35 in	

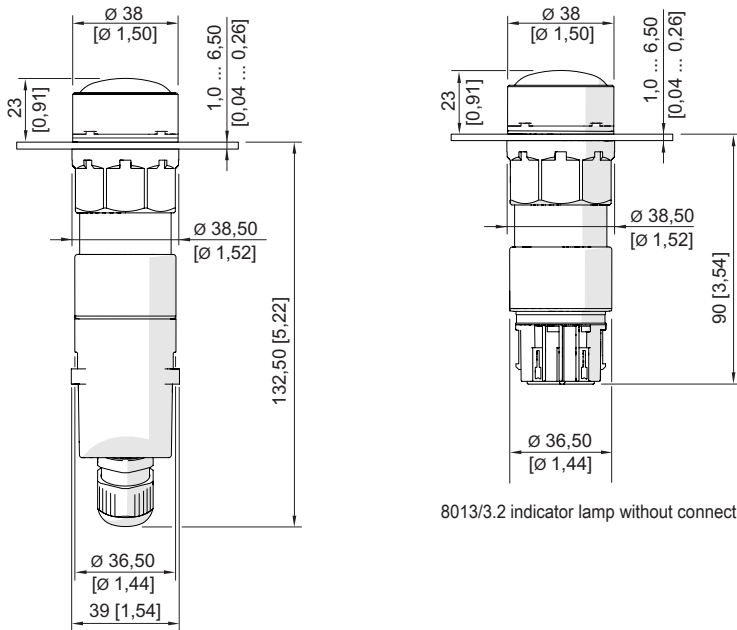
LED indicator lamp for panel mounting

Series 8013 for ATEX/IECEX and NEC®/CE Code applications

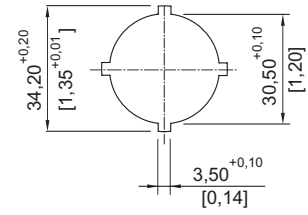
STAHL

E4

Spare Parts			
Figure	Description	Art. No.	Weight
Lens			
	red	155842	3 g
	yellow	155834	3 g
	green	155852	3 g
	blue	155860	3 g
	white	155824	3 g
Closing part			
	8602C3-733-B for closing unused holes in cover, dia. 30.5 mm, NBR	244306	25 g
	8602C3-733-S for closing unused holes in cover, dia. 30.5 mm, silicone	244307	25 g
Insert discs for label holder			
	One-line Plain Material: PVC Colour: White Self-adhesive	238271	10 g
	Two-line Plain Material: PVC Colour: White Self-adhesive	238272	10 g
	Three-line Plain Material: PVC Colour: White Self-adhesive	238273	10 g
Label holder			
	Label holder, size 1, without insert disc Labelling: 1-line can be installed in dia. 30.5 mm drilled holes for actuators	155632	1 g
	Label holder, size 2, without insert disc Labelling: 1- or 2-line can be installed in dia. 30.5 mm drilled holes for actuators	155687	2 g
	Label holder, size 3, without insert disc Labelling: 1-, 2- or 3-line can be installed in dia. 30.5 mm drilled holes for actuators	155844	2 g

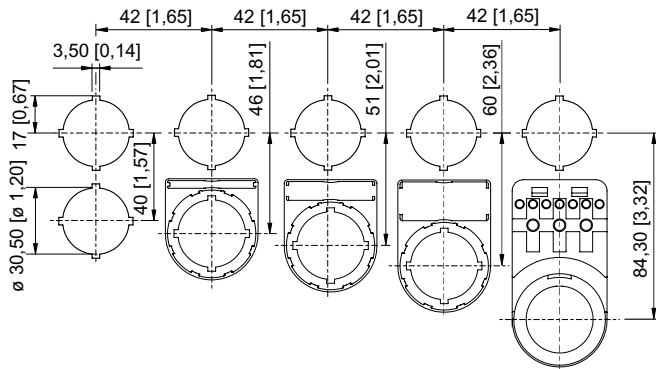


8013/3.2 indicator lamp without connection chamber



Punch pattern

8013/3.1, 8013/3.3 indicator lamp with connection chamber



Cut-out with/without additional designation plate