



- LED high-power floodlight with power consumption of up to 225 W
- Wide-range voltage input between 110 V and 277 V (50 Hz and 60 Hz)
- Suitable for operation in central battery systems and DC mains (176 V to 264 V DC)
- Three wattage classes are available: 100 W, 160 W and 225 W
- An enclosure made from stainless steel 316L is also available for marine and offshore applications.
- Optionally available with DALI interface

## MY R. STAHL 6125B



The new generation of LED floodlights for Zone 1 also relies on the tried-and-tested, robust stainless steel enclosure (optionally seawater-resistant stainless steel 316L). However, thanks to their smaller design and a new generation of drivers, they weigh significantly less, thereby improving ergonomics during installation and operation. Now with three power classes and the three tried-and-tested light distribution curves, the LED floodlight generates three colours of LED light – warm white, neutral white and cold white.

	IECEX / ATEX					
Zone	0	1	2	20	21	22
Installation in		•	•		•	•

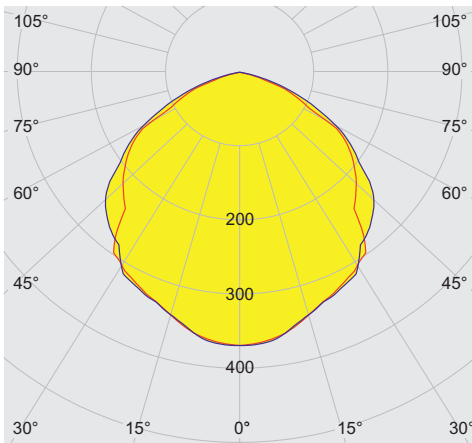
Selection Table							
Colour temperature	4000 K						
Light colour	Warm white						
Colour rendering	≥ 80						
Enclosure material	Light distribution	Lamp wattage	Luminous flux	Luminaire efficacy	Product Type	Art. No.	Weight
Stainless steel 1.4301, Powder-coated Single-layer powder-coated	Medium-beam	160 W	14888 lm	96 lm/W	6125/2122-3501-6014-331	284569	18.5 kg
	Narrow-beam	225 W	20757 lm	94 lm/W	6125/2121-5501-6014-331	284581	19 kg
	Wide beam	100 W	9860 lm	99 lm/W	6125/2124-1501-6014-331	284567	16.5 kg
		160 W	14097 lm	91 lm/W	6125/2124-3501-6014-331	284568	18.5 kg
		225 W	19261 lm	88 lm/W	6125/2124-5501-6014-331	284570	19 kg
	Stainless steel 1.4404, Powder-coated Double powder-coated	Medium-beam	160 W	14888 lm	96 lm/W	6125/2122-3501-6014-242	284584
Narrow-beam		225 W	20757 lm	94 lm/W	6125/2121-5501-6014-242	284586	19 kg
Wide beam		100 W	9860 lm	99 lm/W	6125/2124-1501-6014-242	284582	16.5 kg
		160 W	14097 lm	91 lm/W	6125/2124-3501-6014-242	284583	18.5 kg
		225 W	19261 lm	88 lm/W	6125/2124-5501-6014-242	284585	19 kg

Selection Table							
Colour temperature		5000 K					
Light colour		Neutral white					
Colour rendering		≥ 80					
Enclosure material	Light distribution	Lamp wattage	Luminous flux	Luminaire efficacy	Product Type	Art. No.	Weight
Stainless steel 1.4301, Powder-coated Single-layer powder-coated	Medium-beam	160 W	15413 lm	99 lm/W	6125/2122-3501-6015-331	284564	18.5 kg
	Narrow-beam	225 W	21490 lm	98 lm/W	6125/2121-5501-6015-331	284566	19 kg
		100 W	10208 lm	102 lm/W	6125/2124-1501-6015-331	284562	16.5 kg
	Wide beam	160 W	14595 lm	94 lm/W	6125/2124-3501-6015-331	284563	18.5 kg
		225 W	19941 lm	91 lm/W	6125/2124-5501-6015-331	284565	19 kg
	Stainless steel 1.4404, Powder-coated Double powder-coated	Medium-beam	160 W	15413 lm	99 lm/W	6125/2122-3501-6015-242	282404
Narrow-beam		225 W	21490 lm	98 lm/W	6125/2121-5501-6015-242	282406	19 kg
		100 W	10208 lm	102 lm/W	6125/2124-1501-6015-242	282402	16.5 kg
Wide beam		160 W	14595 lm	94 lm/W	6125/2124-3501-6015-242	282403	18.5 kg
		225 W	19941 lm	91 lm/W	6125/2124-5501-6015-242	282405	19 kg
Colour temperature		5700 K					
Light colour		Cool white					
Colour rendering		≥ 70					
Enclosure material	Light distribution	Lamp wattage	Luminous flux	Luminaire efficacy	Product Type	Art. No.	Weight
Stainless steel 1.4301, Powder-coated Single-layer powder-coated	Medium-beam	160 W	17444 lm	113 lm/W	6125/2122-3501-6011-331	282394	18.5 kg
	Narrow-beam	225 W	24562 lm	111 lm/W	6125/2121-5501-6011-331	282396	19 kg
		100 W	11574 lm	116 lm/W	6125/2124-1501-6011-331	282392	16.5 kg
	Wide beam	160 W	16631 lm	107 lm/W	6125/2124-3501-6011-331	282393	18.5 kg
		225 W	22654 lm	103 lm/W	6125/2124-5501-6011-331	282395	19 kg
	Stainless steel 1.4404, Powder-coated Double powder-coated	Medium-beam	160 W	17444 lm	113 lm/W	6125/2122-3501-6011-242	282399
Narrow-beam		225 W	24562 lm	111 lm/W	6125/2121-5501-6011-242	282401	19 kg
		100 W	11574 lm	116 lm/W	6125/2124-1501-6011-242	282397	16.5 kg
Wide beam		100 W	11574 lm	116 lm/W	6125/2124-1501-6021-242	282407	16.5 kg
		160 W	16631 lm	107 lm/W	6125/2124-3501-6011-242	282398	18.5 kg
225 W		22654 lm	103 lm/W	6125/2124-5501-6011-242	282400	19 kg	

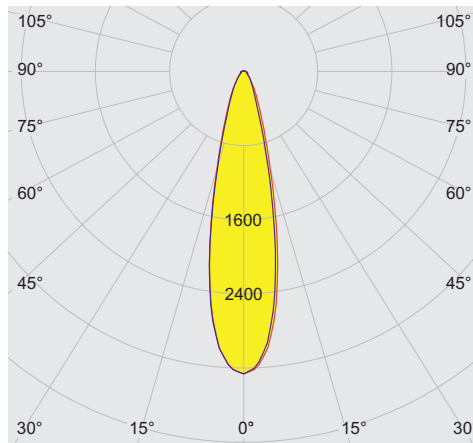
Technical Data			
Variant	Floodlight LED 100 W	Floodlight LED 160 W	Floodlight LED 225 W
Explosion Protection			
IECEx gas explosion protection	Ex db eb op is IIC T4 Gb	Ex db eb op is IIC T4 Gb	Ex db eb op is IIC T4 Gb
IECEx dust explosion protection	Ex tb op is IIIC T100 °C Db	Ex tb op is IIIC T100 °C Db	Ex tb op is IIIC T100 °C Db
ATEX gas explosion protection	Ⓔ II 2 G Ex db eb op is IIC T4 Gb	Ⓔ II 2 G Ex db eb op is IIC T4 Gb	Ⓔ II 2 G Ex db eb op is IIC T4 Gb
ATEX dust explosion protection	Ⓔ II 2 D Ex tb op is IIIC T100 °C Db	Ⓔ II 2 D Ex tb op is IIIC T100 °C Db	Ⓔ II 2 D Ex tb op is IIIC T100 °C Db

Technical Data			
Variant	Floodlight LED 100 W	Floodlight LED 160 W	Floodlight LED 225 W
<b>Explosion Protection</b>			
Certificates	ATEX (BVIS), Brazil (ULB), IECEx (BVIS), India (PESO)	ATEX (BVIS), Brazil (ULB), IECEx (BVIS), India (PESO)	ATEX (BVIS), Brazil (ULB), IECEx (BVIS), India (PESO)
Declaration of Conformity	ATEX (EUK)	ATEX (EUK)	ATEX (EUK)
<b>Electrical Data</b>			
Rated operational voltage AC	110 ... 277 V	110 ... 277 V	110 ... 277 V
Frequency range	50 – 60 Hz	50 – 60 Hz	50 – 60 Hz
<b>Ambient Conditions</b>			
Ambient temperature	-50 °C ... +60 °C	-60 °C ... +60 °C	-60 °C ... +60 °C
Min. ambient temperature note	Energise above -40 °C	Energise above -40 °C	Energise above -40 °C
Storage temperature	-40 °C ... +75 °C	-40 °C ... +75 °C	-40 °C ... +75 °C
<b>Lighting Data</b>			
Lamp	LED	LED	LED
<b>Mechanical Data</b>			
Degree of protection (IP)	IP66	IP66	IP66
Class	I	I	I
Sealing material	Silicone	Silicone	Silicone
Pane material	Reinforced glass	Reinforced glass	Reinforced glass
Max. solid connection terminals	6 mm <sup>2</sup>	6 mm <sup>2</sup>	6 mm <sup>2</sup>
Impact strength (IEC 62262)	IK10	IK10	IK10
Fastening	With bracket, SS316L	With bracket, SS316L	With bracket, SS316L
<b>Components</b>			
Cable glands and entries	1 x M25 x 1.5 CMP-25A2F	1 x M25 x 1.5 CMP-25A2F	1 x M25 x 1.5 CMP-25A2F

### Light Distribution Curves – Subject to Alterations

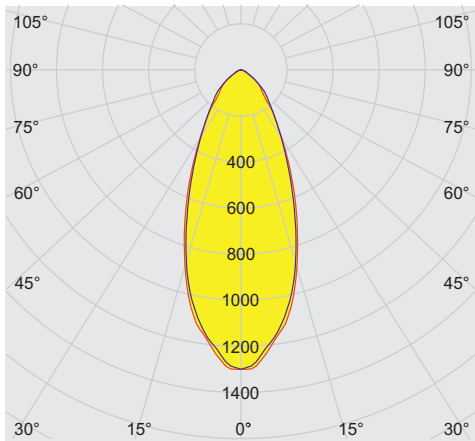


cd/klm 100%  
 — C0 - C180 — C90 - C270  
 typ. broad beam



cd/klm 100%  
 — C0 - C180 — C90 - C270  
 typ. narrow beam

E2

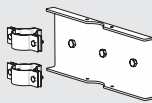






cd/klm 100%

— C0 - C180 — C90 - C270

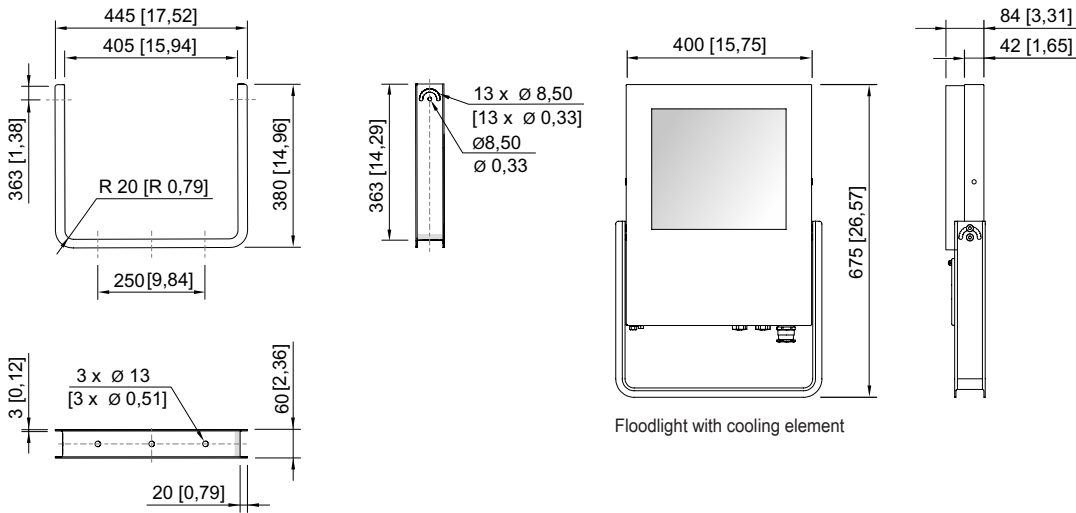
typ. medium beam

### Accessories

Figure	Description	Art. No.	Weight
<b>Mounting set</b>			
	for pole mounting with pole diameter of 50 mm - stainless steel SS316L (1.4404 or V4A) without powder coating	283361	5 kg
	for pole mounting with pole diameter of 60 mm - stainless steel SS316L (1.4404 or V4A) without powder coating	263824	5 kg
<b>Ring bolt</b>			
	M6 (4 pieces), direct mounting in insert nuts	254234	202 g
<b>Mounting bracket</b>			
	Sheet steel, single powder coated	244604	3.09 kg
	Stainless steel SS316L (1.4404 or V4A) without powder coating	221589	3.13 kg

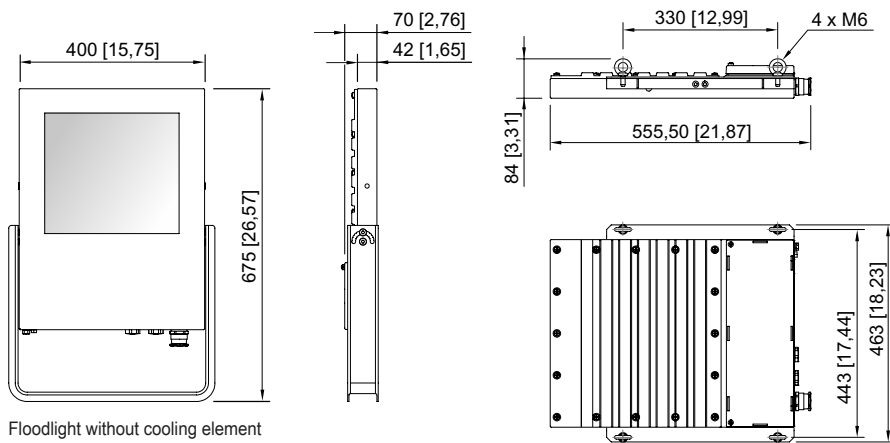
Dimensional Drawings (All Dimensions in mm [inches]) – Subject to Alterations

E2



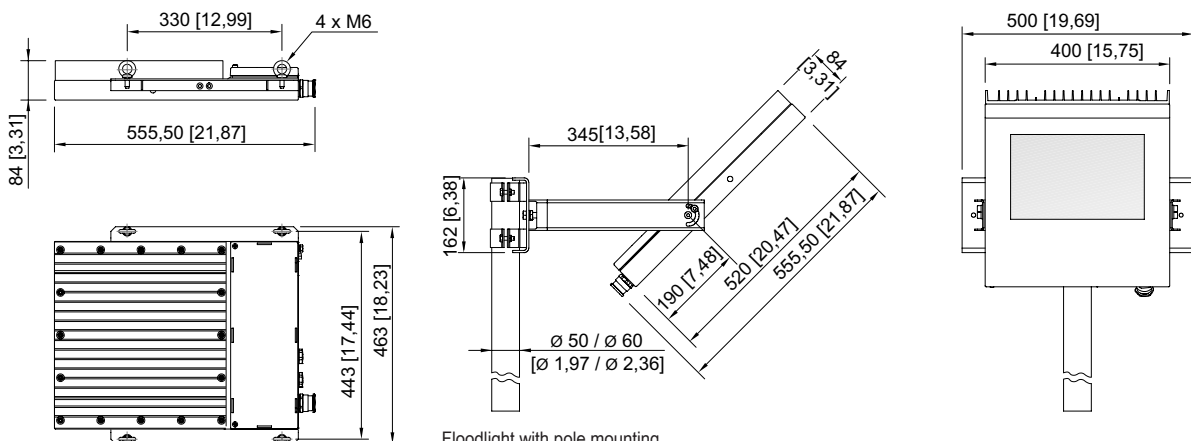
Floodlight with cooling element

Mounting bracket



Floodlight without cooling element

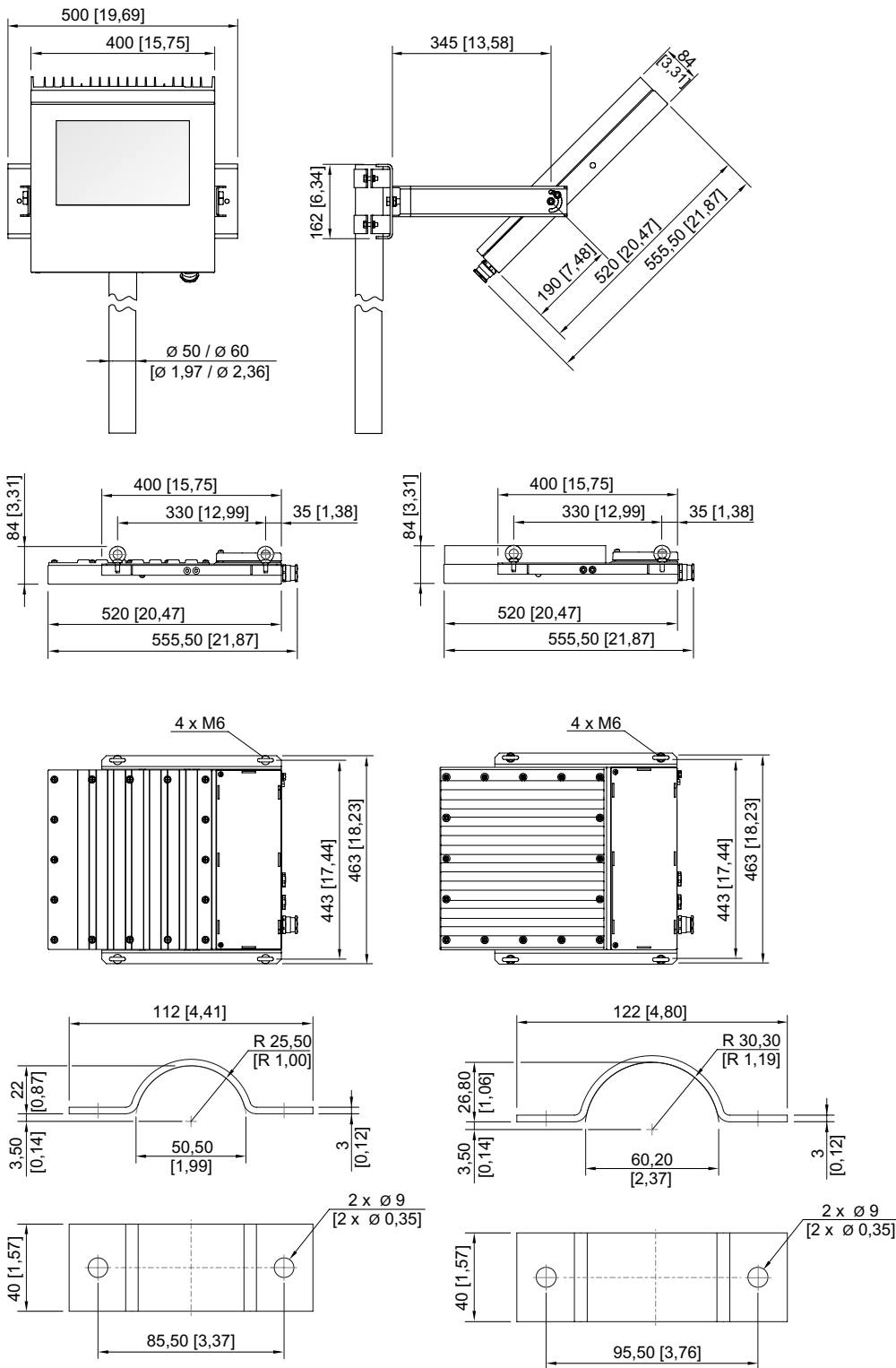
Floodlight without cooling element, with ring eyes

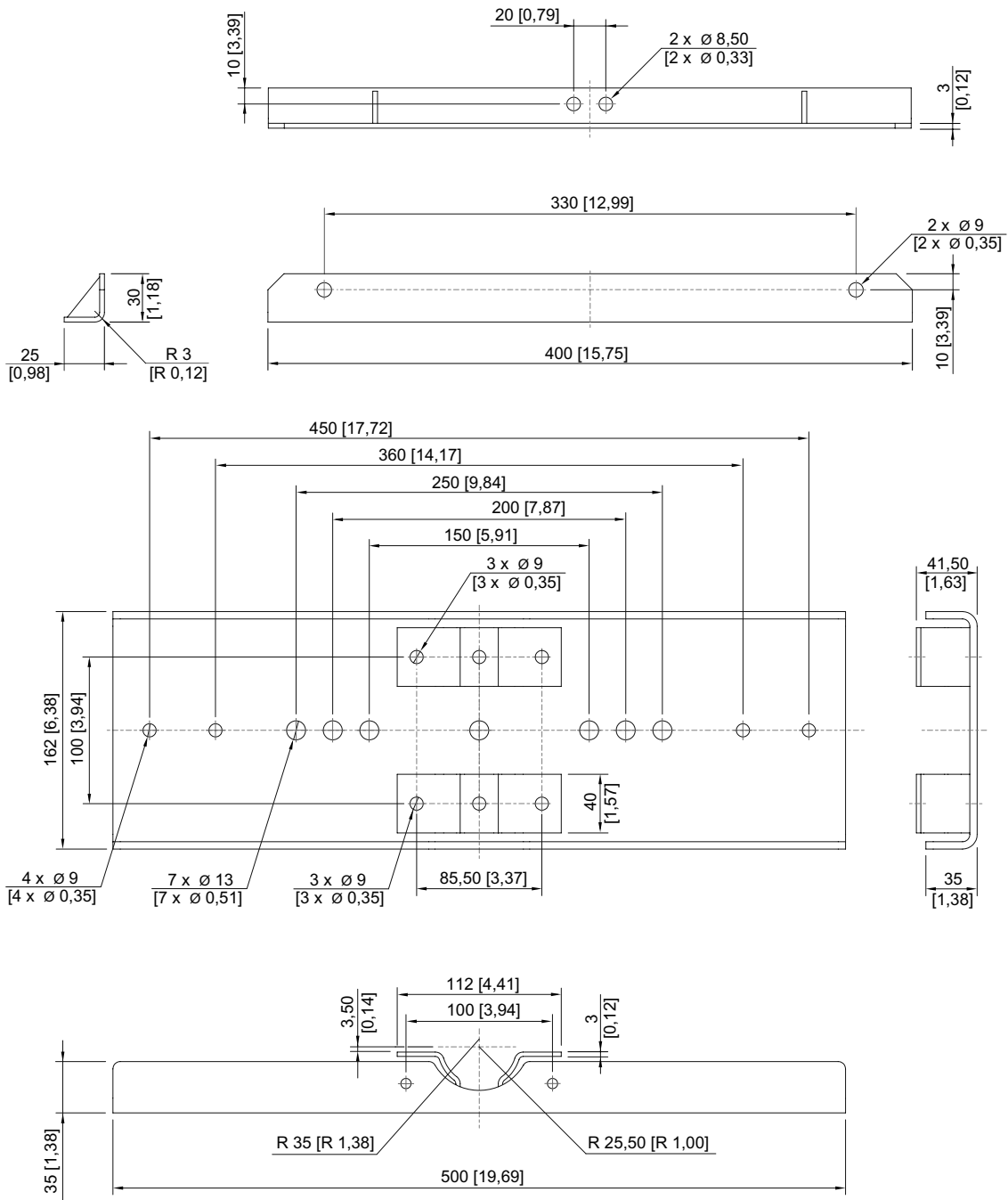


Floodlight with cooling element, with ring eyes

Floodlight with pole mounting

E2





E2

