



- Different voltage ranges according to EN 60309
- Large temperature range of use
- High mechanical impact and shock resistance
- Perfect protection against penetration of liquids and dusts
- 3D data for download on the website
- Variants for use in USA/Canada available on request

E3

WebCode **8571N**



The R. STAHL 8571/11 series SolConeX sockets for Zone 1/21 in 4- and 5-pole versions have full AC-3 switching capacity up to 32 A. The high degree of protection IP66 ensures maximum protection against the ingress of dust and/or water in any application situation. Self-cleaning lamellar contacts provide optimum contact and the plugs can be inserted and removed in the zero position quickly and easily. The load disconnect switch, with mechanical locking device and a handle that can be locked in the 0 or I position, is an additional safety feature.

Further product options available:

- Further voltage ranges according to EN 60309
- Silicone-free versions
- Ex e or Ex i auxiliary contacts for control and signalling purposes – can also be retrofitted
- With NAMUR resistor circuitry
- External earth connection
- Customer-specific label plates
- Plates also in stainless steel
- Additional entries – also in metal

	IECEx / ATEX					
Zone	0	1	2	20	21	22
Installation in		•	•		•	•

Selection Table

Product Description		Wall-mounting socket 32 A						
Figure	Detailed number of poles	Coding (clock hour position)	Rated operational voltage AC	Colour code	Frequency range	Product Type	Art. No.	Weight
	3 P + N + PE	2	> 50 V AC	Green	> 300 – 500 Hz	8571/11-502-S-01-0-00-XXX	301434	2.2 kg
		3	220/380 V AC	Red	50 Hz	8571/11-503-S-01-0-00-XXX	276175	2.2 kg
		4	57/100 to 75/130 V AC	Yellow	50 / 60 Hz	8571/11-504-S-01-0-00-XXX	276176	2.2 kg
		5	347/600 to 400/690 V AC	Black	50 / 60 Hz	8571/11-505-S-01-0-00-XXX	276177	2.2 kg
		6	200/346 to 240/415 V AC	Red	50 / 60 Hz	8571/11-506-S-01-0-00-XXX	276178	2.2 kg
		7	277/480 to 288/500 V AC	Black	50 / 60 Hz	8571/11-507-S-01-0-00-XXX	276179	2.2 kg
		9	120/208 to 144/250 V AC	Blue	50 / 60 Hz	8571/11-509-S-01-0-00-XXX	276180	2.2 kg
		11	250/440 to 265/460 V AC	Red	60 Hz	8571/11-511-S-01-0-00-XXX	276191	2.2 kg
	3 P + PE	5	600 to 690 V AC	Black	50 / 60 Hz	8571/11-405-S-01-0-00-XXX	276192	2 kg
		6	380 to 415 V AC	Red	50 / 60 Hz	8571/11-406-S-01-0-00-XXX	276193	2 kg
		7	480 to 500 V AC	Black	50 / 60 Hz	8571/11-407-S-01-0-00-XXX	276194	2 kg
		9	200 to 250 V AC	Blue	50 / 60 Hz	8571/11-409-S-01-0-00-XXX	276195	2 kg
		10	> 50 V AC	Green	100 – 300 Hz	8571/11-410-S-01-0-00-XXX	276196	2 kg
		11	440 to 460 V AC	Red	60 Hz	8571/11-411-S-01-0-00-XXX	276197	2 kg

Technical Data
Explosion Protection

Scope of validity	European Union (ATEX) IECEX
Scope of validity Note	Other country markings available on request
IECEX gas explosion protection	Ex db eb IIC T6 ... T5 Gb
IECEX dust explosion protection	Ex tb IIIC T76 °C Db
ATEX gas explosion protection	Ⓔ II 2 G Ex db eb IIC T6 ... T5 Gb
ATEX dust explosion protection	Ⓔ II 2 D Ex tb IIIC T76 °C Db
Certificates	ATEX (PTB), Brazil (ULB), China (CQST), IECEX (PTB), India (PESO), Taiwan (ITRI)
Ship approval	DNV
Declaration of Conformity	ATEX (EUK), China (CCC)

Electrical Data

Rated operational current	32 A
Utilisation category	AC-3: 690 V / 32 A DC-1: 110 V / 32 A UL508: 600 V / 30 A
Switching capacity main contacts	7.5 kW: 220 to 240 V 15 kW: 380 to 415 V 30 kW: 600 to 690 V

Notes The current must be reduced to 25 A for frequencies ≥ 100 Hz

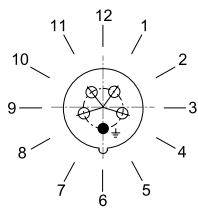
Device Specific Data

Back-up fuse with thermal protection	63 A gG
Back-up fuse without thermal protection	35 A gG

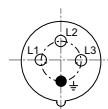
Technical Data	
Ambient Conditions	
Ambient temperature	-50 °C to +65 °C
Notes	For further information, see the operating instructions.
Mechanical Data	
IP degree of protection (IEC 60529)	IP66
IP degree of protection (IEC 60079)	IP64
Enclosure material	Polyamide, Glass fibre reinforced
Silicone-free	No
Solid connection cross-section	1 x 2.5 mm ² ... 2 x 10 mm ²
Finely stranded connection cross-section	1 x 2.5 mm ² ... 2 x 6 mm ²
Impact strength (IEC 60079)	7 J
Impact strength (IEC 62262)	IK10
Lockable in	in 0- and I-position
Interlock	Prevents the plug from being pulled under load
Components	
Cable entry note	Entry 1: Lower left Entry 2: Lower right
Entry 1 model	8161/7-M32-2109-LT
Entry 1 type	Polyamide cable gland
Entry 1	M32 x 1.5
Entry 1 terminal area	9 – 21 mm
Metal entry possible 1	No
Entry 2 model	8290/3-M32
Entry 2 type	Polyamide stopping plug
Entry 2	M32 x 1.5
Metal entry possible 2	No

Arrangement of earth contact sleeves

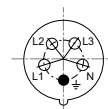
Time position
Example: 6h position



Arrangement of socket contacts and terminal markings



3 P + PE



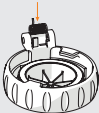
3 P + N + PE

Arrangement of the socket contacts and terminal markings in the 6h position
(view from the front side of the shrouded socket outlet to the socket contacts)

Accessories

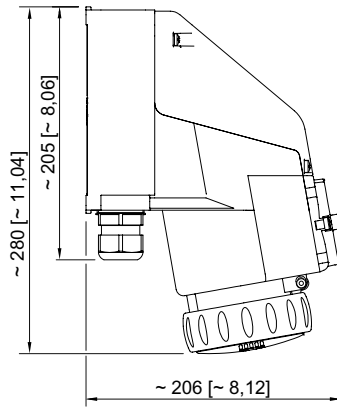
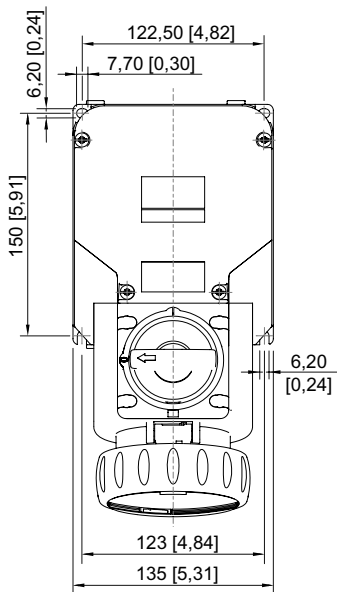
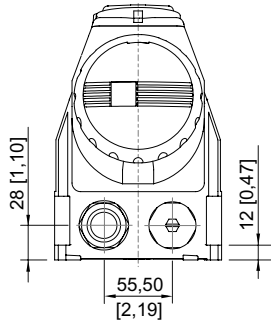
Figure	Description	Art. No.	Weight
Auxiliary contact optional, can be connected by the user, easy to retrofit			
	1 NC max. 500 V AC, max. 110 V DC max. 6 A 1 x 0.5 to 2 x 2.5 mm ² solid/finely stranded	150680	125 g
	1 NC, gold-plated contact max. 500 V AC, max. 110 V DC max. 6 A 1 x 0.5 to 2 x 2.5 mm ² solid/finely stranded	150684	125 g
	1 NO max. 500 V AC, max. 110 V DC max. 6 A 1 x 0.5 to 2 x 2.5 mm ² solid/finely stranded	150682	125 g
	1 NO, gold-plated contact max. 500 V AC, max. 110 V DC max. 6 A 1 x 0.5 to 2 x 2.5 mm ² solid/finely stranded	150686	125 g
Dust cover for sockets, series 8571			
	Retrofittable dust protection for 4-pole sockets	255005	9 g
	Retrofittable dust protection for 5-pole sockets	253117	9 g

Spare Parts

Figure	Description	Art. No.	Weight
Repair set for sockets series 8571			
	8571 4-pole hinged cover repair set, black	275505	165 g
	8571 4-pole hinged cover repair set, blue	275502	165 g
	8571 4-pole hinged cover repair set, green	275501	165 g
	8571 4-pole hinged cover repair set, red	275504	165 g
	8571 5-pole hinged cover repair set, black	275490	170 g
	8571 5-pole hinged cover repair set, blue	275487	170 g
	8571 5-pole hinged cover repair set, green	275486	170 g
	8571 5-pole hinged cover repair set, red	275489	170 g
	8571 5-pole hinged cover repair set, yellow	275488	170 g

Dimensional Drawings (All Dimensions in mm [inches]) – Subject to Alterations

E3



Wall-mounting socket