



- Metal Ex d and Ex e stopping plugs
- Wide selection of thread types and sizes
- Operating temperature range -60 °C to +200 °C
- Global certification, IECEx, ATEX, cCSAus and UL

E10

## MY R. STAHL 747DA



The Series 747 metal Ex d and Ex e stopping plugs with hexagon socket and without a projecting head make it possible to temporarily or permanently seal unused drilled holes. There is a wide selection of different thread sizes and types available for this. They have global certification according to IECEx, ATEX, UL and cCSAus.

|                 | IECEx / ATEX |   |   |    |    |    |
|-----------------|--------------|---|---|----|----|----|
| Zone            | 0            | 1 | 2 | 20 | 21 | 22 |
| Installation in |              | • | • | •  | •  | •  |

| Selection Table |                     |             |             |               |          |        |
|-----------------|---------------------|-------------|-------------|---------------|----------|--------|
| Material        | Nickel-plated brass |             |             |               |          |        |
| Thread size     | Outer diameter      | Dimension b | Dimension d | Thread length | Art. No. | Weight |
| NPT1            | 33.6 mm             | 15 mm       | 25 mm       | 25 mm         | 230108   | 150 g  |
| NPT1/2          | 21.5 mm             | 6.4 mm      | 12 mm       | 19.9 mm       | 230106   | 100 g  |
| NPT1-1/2        | 48.5 mm             | 15.9 mm     | 39 mm       | 26.1 mm       | 253015   | 150 g  |
| NPT1-1/4        | 42.4 mm             | 15.4 mm     | 32 mm       | 25.6 mm       | 253014   | 1 kg   |
| NPT2            | 60.5 mm             | 16.7 mm     | 49 mm       | 26.9 mm       | 253016   | 1 kg   |
| NPT2-1/2        | 73.3 mm             | 29.7 mm     | 57 mm       | 39.9 mm       | 253017   | 100 g  |
| NPT3/4          | 26.9 mm             | 6.4 mm      | 18 mm       | 20.2 mm       | 230107   | 125 g  |
| Material        | Stainless steel     |             |             |               |          |        |
| Thread size     | Outer diameter      | Dimension b | Dimension d | Thread length | Art. No. | Weight |
| NPT1            | 33.6 mm             | 15 mm       | 25 mm       | 25 mm         | 230111   | 1 kg   |
| NPT1/2          | 21.5 mm             | 6.4 mm      | 12 mm       | 19.9 mm       | 230109   | 100 g  |
| NPT1-1/2        | 48.5 mm             | 15.9 mm     | 39 mm       | 26.1 mm       | 253020   | 200 g  |
| NPT1-1/4        | 42.4 mm             | 15.4 mm     | 32 mm       | 25.6 mm       | 253019   | 500 g  |
| NPT2            | 60.5 mm             | 16.7 mm     | 49 mm       | 26.9 mm       | 253021   | 290 g  |
| NPT2-1/2        | 73.3 mm             | 29.7 mm     | 57 mm       | 39.9 mm       | 253022   | 320 g  |
| NPT3/4          | 26.9 mm             | 6.4 mm      | 18 mm       | 20.2 mm       | 230110   | 125 g  |

| Technical Data                 |              |
|--------------------------------|--------------|
| Explosion Protection           |              |
| IECEx gas explosion protection | Ex db IIC Gb |
| IECEx firedamp protection      | Ex db I Mb   |

### Technical Data

#### Explosion Protection

|                               |                       |
|-------------------------------|-----------------------|
| IECEx firedamp protection 2   | Ex eb I Mb            |
| ATEX gas explosion protection | Ⓜ II 2 G Ex db IIC Gb |
| ATEX firedamp protection      | Ⓜ I M2 Ex db I Mb     |
| ATEX firedamp protection 2    | Ⓜ I M2 Ex eb I Mb     |

Notes: The product certificates can be downloaded from the manufacturer's homepage ([www.cmp-products.com](http://www.cmp-products.com))

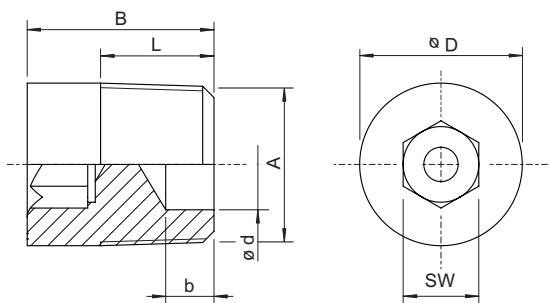
#### Ambient Conditions

|                     |                    |
|---------------------|--------------------|
| Ambient temperature | -60 °C ... +200 °C |
|---------------------|--------------------|

#### Mechanical Data

|                           |                |
|---------------------------|----------------|
| Degree of protection (IP) | IP66           |
| Drive                     | Hexagon socket |
| Silicone-free             | Yes            |

### Dimensional Drawings (All Dimensions in mm [inches]) – Subject to Alterations



A = Thread size    B = Length    L = Thread length  
d = Dimension d    b = Dimension b  
D = Outer diameter  
SW = Hexagon socket width across flats