



- Slim design saves space – just 12.5 mm wide
- For use up to SIL 2 (IEC/EN 61508)
- A wire breakage and short-circuit monitoring system, which can be disconnected and includes messages

A3

## MY R. STAHL 9270A



The Series 9270 Ex i switching repeaters are used to operate contacts, NAMUR proximity switches and optocouplers. A relay output or electronic output transmits the signals to the control level. The intrinsically safe digital input is galvanically separated from the output and auxiliary power.

	IECEX / ATEX					
Zone	0	1	2	20	21	22
Ex interface	•	•	•	•	•	•
Installation in			•			

	NEC® 500 CE Code Appendix J					
	Class I		Class II		Class III	
Division	1	2	1	2	1	2
Ex interface	•	•	•	•	•	•
Installation in		•				

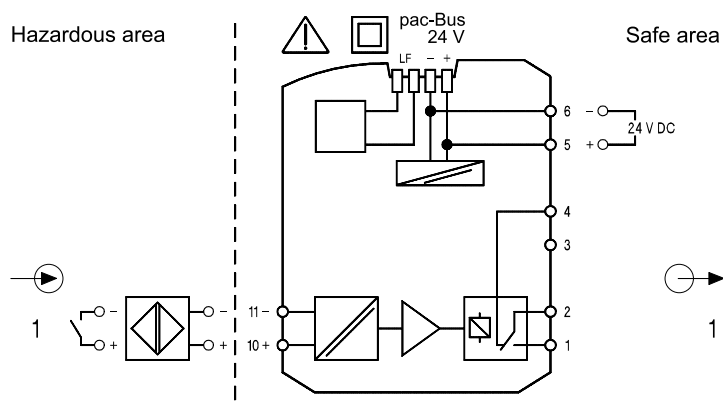
	CE Code Section 18					
	NEC® 505			NEC® 506		
Zone	Class I			20	21	22
Ex interface	0	1	2			
Ex interface	•	•	•			
Installation in			•			

Selection Table						
Output version (control) Electronic (35 V/50 mA)						
Number of channels	Output per channel	Connection type	Product Type	Art. No.	Weight	
1	2 electronic outputs	Screw terminal	9270/11-19-15s	261412	160 g	
		Spring clamp terminal	9270/11-19-15k	261417	160 g	
2	1 electronic output	Screw terminal	9270/21-14-14s	261413	165 g	
		Spring clamp terminal	9270/21-14-14k	261418	165 g	
Output version (control) Relay (250 V/2 A)						
Number of channels	Output per channel	Connection type	Product Type	Art. No.	Weight	
1	1 change-over contact	Screw terminal	9270/11-16-14s	261409	160 g	
	2 NO	Screw terminal	9270/11-17-15s	261410	165 g	
2	1 NO	Screw terminal	9270/21-17-14s	261411	170 g	
Output version (control) Relay (250 V / 2 A)						
Number of channels	Output per channel	Connection type	Product Type	Art. No.	Weight	
1	1 change-over contact	Spring clamp terminal	9270/11-16-14k	261414	160 g	
	2 NO	Spring clamp terminal	9270/11-17-15k	261415	165 g	
2	1 NO	Spring clamp terminal	9270/21-17-14k	261416	170 g	

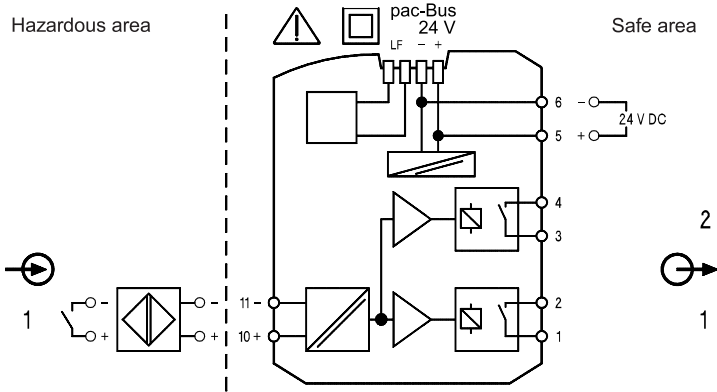
Technical Data		
Variant	Electronic (35 V/50 mA)	Relay (250 V/2 A)
Explosion Protection		
IECEX gas explosion protection	Ex ec [ja Ga] IIC T4 Gc	Ex ec nC [ja Ga] IIC T4 Gc

Technical Data		
Variant	Electronic (35 V/50 mA)	Relay (250 V/2 A)
Explosion Protection		
IECEX dust explosion protection	[Ex ia Da] IIIC	[Ex ia Da] IIIC
ATEX gas explosion protection	Ⓜ II 3 (1) G Ex ec [ia Ga] IIC T4 Gc	Ⓜ II 3 (1) G Ex ec nC [ia Ga] IIC T4 Gc
ATEX dust explosion protection	Ⓜ II (1) D [Ex ia Da] IIIC	Ⓜ II (1) D [Ex ia Da] IIIC
Certificates	ATEX (IBE), Canada (UL), China (CQM), IECEX (IBE), India (PESO), Korea (KTL), SIL (exida), USA (UL)	ATEX (IBE), Canada (UL), China (CQM), IECEX (IBE), India (PESO), Korea (KTL), SIL (exida), USA (UL)
Ship approval	DNV	DNV
Declaration of Conformity	ATEX (EUK), China (CCC)	ATEX (EUK), China (CCC)
Safety Data		
Max. voltage $U_o$	9.6 V	9.6 V
Max. current $I_o$	10 mA	10 mA
Max. power $P_o$	25 mW	25 mW
Safety-related max. voltage	253 V AC	253 V AC
Functional Safety		
SIL	2	2
Input		
Input signal	As per EN 60947-5-6 (NAMUR)	As per EN 60947-5-6 (NAMUR)
Output		
Output switching frequency	5 kHz	20 Hz
Output switching capacity	30 V DC	500 VA
Ambient Conditions		
Ambient temperature	-20 °C ... +60 °C	-20 °C ... +60 °C
Storage temperature	-40 °C ... +80 °C	-40 °C ... +85 °C
Mounting / Installation		
Mounting type	DIN rail NS35/15, NS35/7.5	DIN rail NS35/15, NS35/7.5

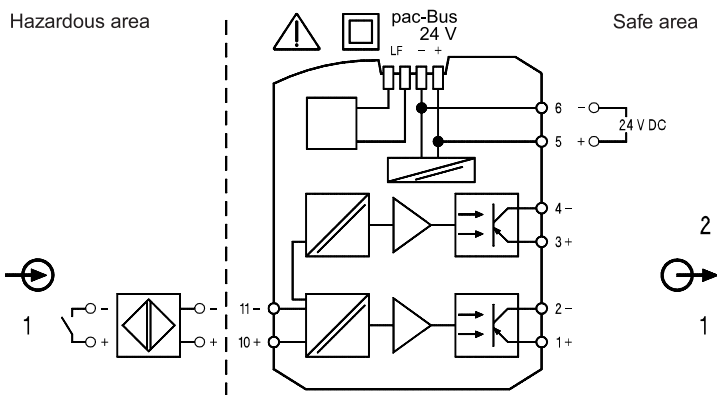
Technical Drawings – Subject to Alterations



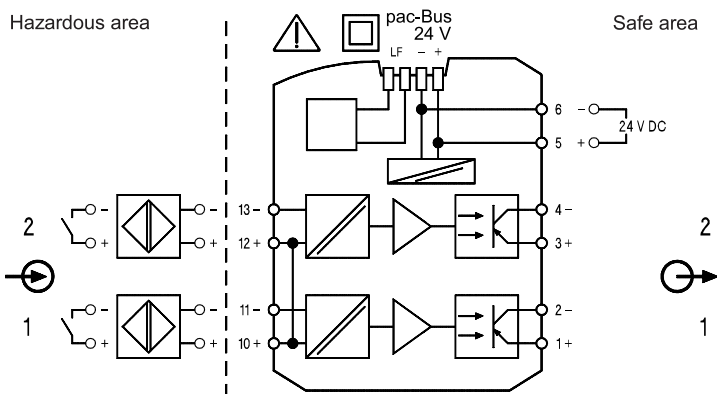
9270/11-16-14 connection diagram



9270/11-17-15 connection diagram

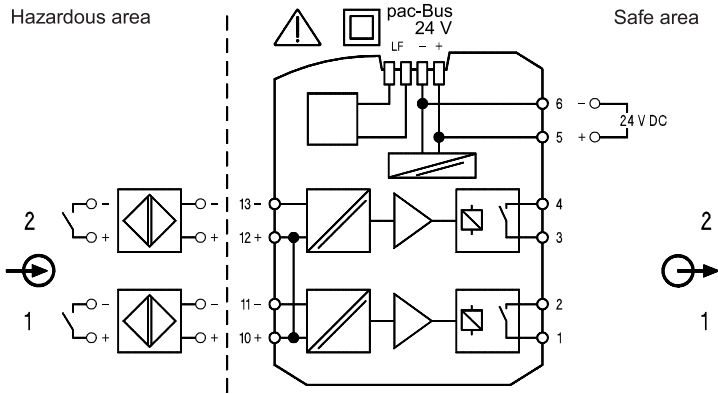


9270/11-19-15 connection diagram



9270/21-14-14 connection diagram

A3

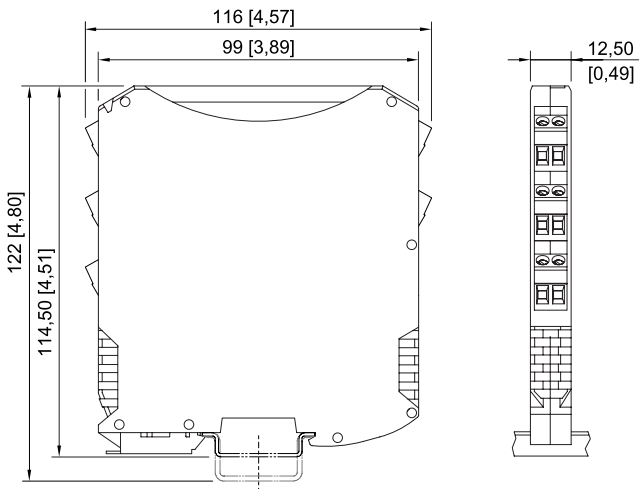


9270/21-17-14 connection diagram

### Accessories

Figure	Description	Art. No.	Weight
	Additional connection of contacts also in hazardous areas to enable short-circuit and wire breakage detection	105944	10 g

### Dimensional Drawings (All Dimensions in mm [inches]) – Subject to Alterations



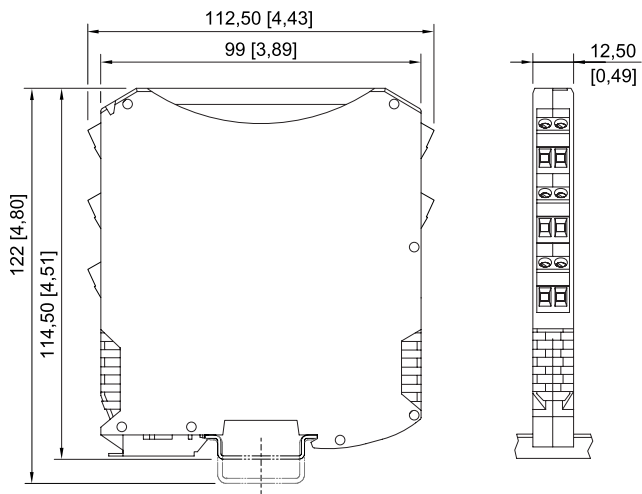
ISpac Series 9260, 9270, 9275, 9276, 9282 with spring clamp terminal

# Switching repeater

Series 9270 Slim design just 12.5 mm wide



A3



ISpac Series 9260, 9265, 9270, 9275, 9276, 9282 with screw terminal