

6525/2124-1701-6021-242 Art. No. 282371



- Stainless steel enclosure as standard for a long service life and safety even under harsh ambient conditions
- Extremely wide range of ambient temperatures – between -60 °C and +60 °C
- Robust design with IK10 and IP66
- Wide-range input with optional 100 V to 277 V
- DALI versions available for lighting control, monitoring and switching

MY R. STAHL 6525C



The wide-range input now also meets the electrical installation conditions for global use. With an optional DALI interface, the floodlight paves the way to a digital lighting solution. Its extremely low start-up current can also support existing installations, as the circuit breakers that are already installed do not need to be replaced.

Technical Data

Explosion Protection

Application range (zones)	2 21 22
IECEX gas certificate	IECEX EPS 15.0032
IECEX gas explosion protection	Ex nR IIC T5 Gc
IECEX dust certificate	IECEX EPS 15.0032
IECEX dust explosion protection	Ex tb op is IIIC T80 °C Db
ATEX gas certificate	EPS 15 ATEX 1 991
ATEX gas explosion protection	Ex II 3 G Ex nR IIC T5 Gc
ATEX dust certificate	EPS 15 ATEX 1 991
ATEX dust explosion protection	Ex II 2 D Ex tb op is IIIC T80 °C Db
Certificates	ATEX (BVIS), IECEX (BVIS), India (PESO)

Electrical Data

Rated operational voltage AC	110 – 277 V
Frequency range	50 – 60 Hz

Lighting Data

Lamp wattage	100 W
Lamp type	LED
Lamp	LED
Light colour	Cool white
Light distribution	Wide beam
Luminaire efficacy	123 lm/W
Luminous flux	12315 lm
Colour rendering	≥ 70
Colour temperature	5700 K

Ambient Conditions

Ambient temperature	-50 °C ... +60 °C
---------------------	-------------------

6525/2124-1701-6021-242 Art. No. 282371

Ambient Conditions

Storage temperature -40 °C ... +75 °C

Mechanical Data

Degree of protection (IP) IP66

Class I

Enclosure material Stainless steel 1.4404, Powder-coated
Double powder-coated

Enclosure colour Similar to RAL 9010

Sealing material Silicone

Pane material Reinforced glass

Max. solid connection terminals 6 mm²

Max. finely stranded connection terminals 4 mm²

Type of connection cable Finely stranded
Solid

Width 400 mm

Height 70 mm

Length 520 mm

Impact strength (IEC 62262) IK10

Fastening With bracket, SS316L

Weight 15.5 kg

Weight 34.17 lb

Mounting / Installation

Note about mounting Provided

Components

Drilled holes 3 x M20

Cable glands and entries CMP-20A2F
1 x M20 x 1.5

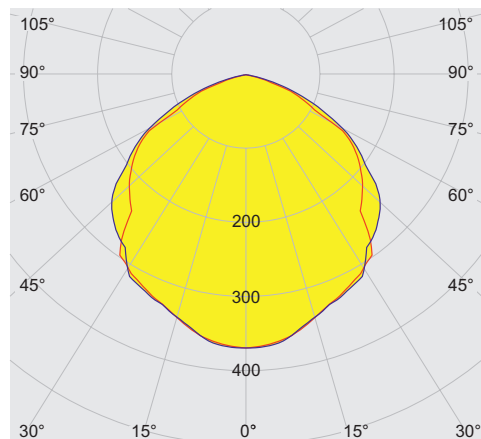
Material cable gland Nickel-plated brass

Cable entry accessories 1 x with plug

Stopping plugs 1 x M20 x 1.5

Stopping plug material Polyamide, black

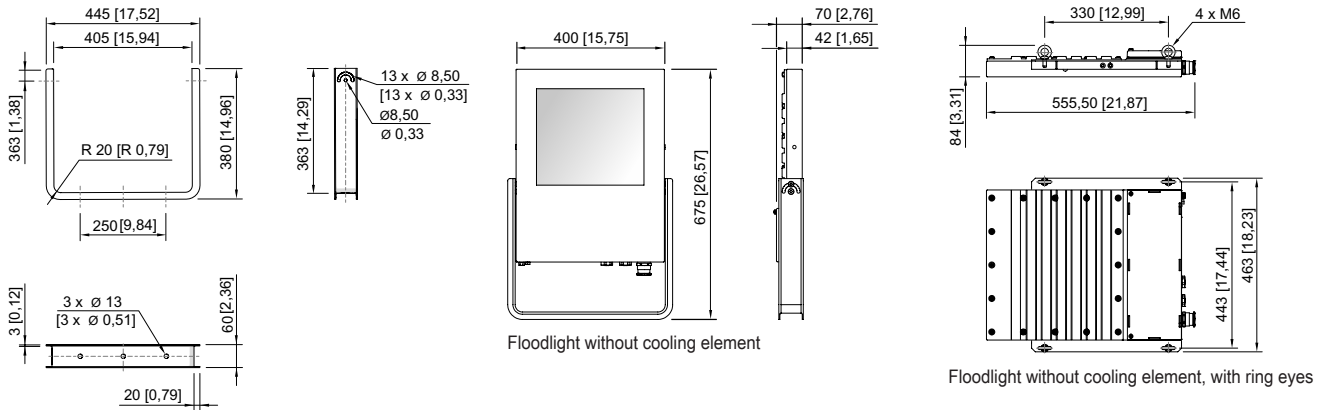
Light Distribution Curves



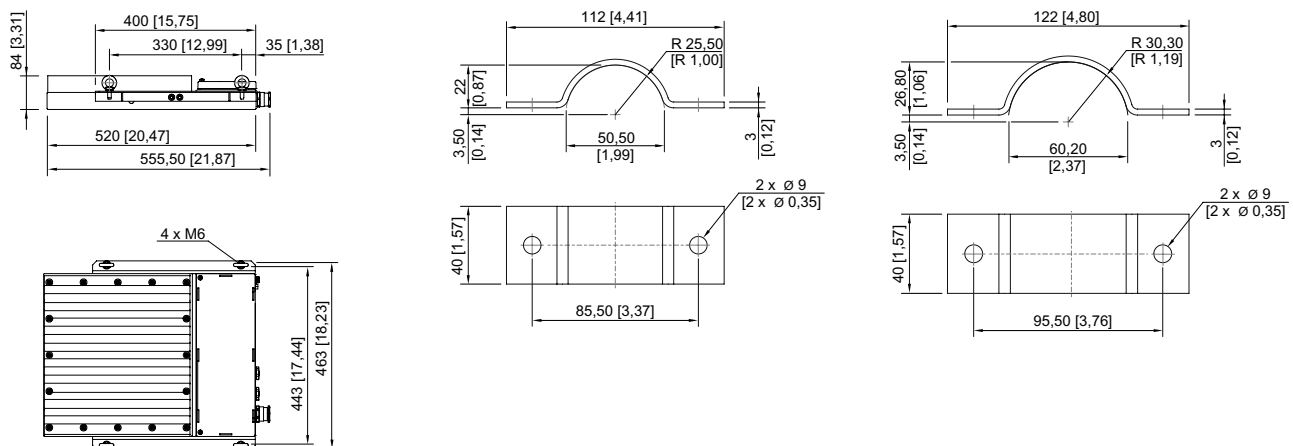
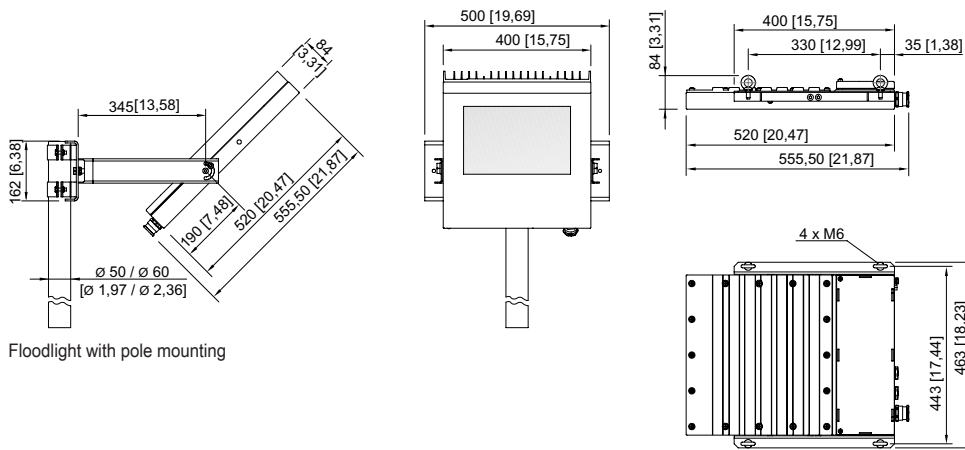
cd/klm
— C0 - C180
— C90 - C270
typ. broad beam

6525/2124-1701-6021-242 Art. No. 282371

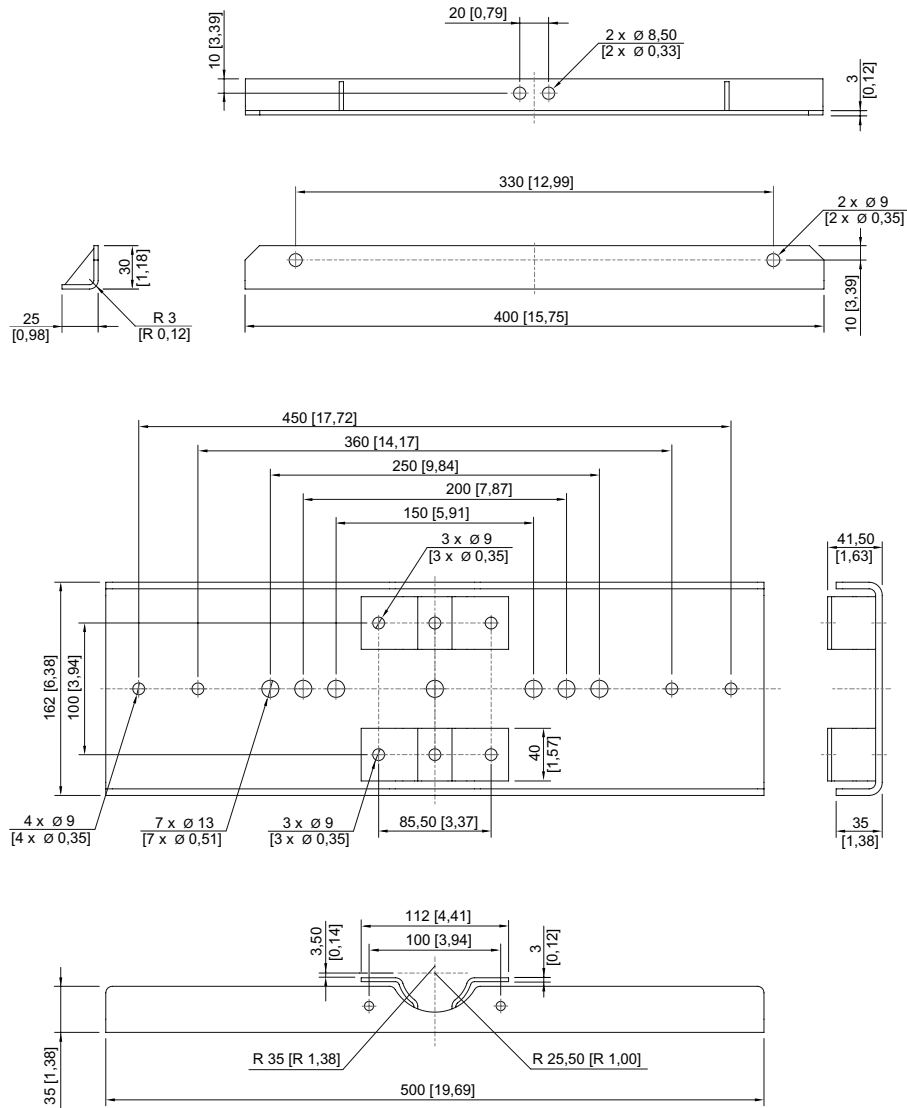
Dimensional Drawings (All Dimensions in mm [inches]) – Subject to Alterations



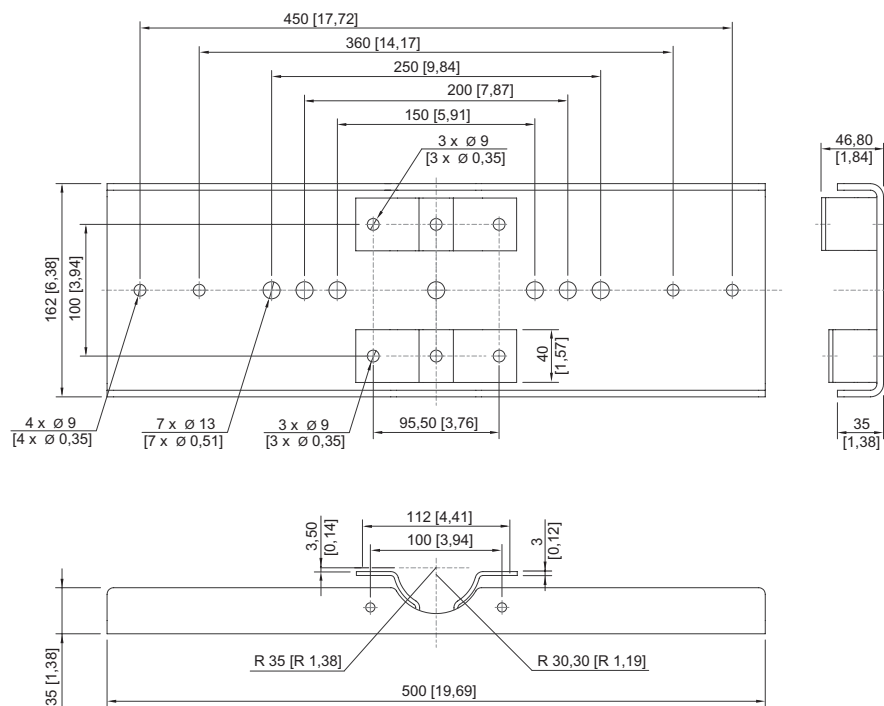
Mounting bracket



6525/2124-1701-6021-242 Art. No. 282371



6525/2124-1701-6021-242 Art. No. 282371



Accessories

Mounting bracket

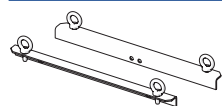


Stainless steel SS316L (1.4404 or V4A) without powder coating

Art. No.

221589

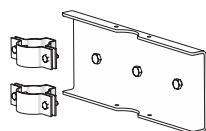
Mounting set



for pendant mounting with ring bolts included - stainless steel SS316L (1.4404 or V4A) without powder coating

Art. No.

257464



for pole mounting with pole diameter of 50 mm - stainless steel SS316L (1.4404 or V4A) without powder coating

Art. No.

283361

for pole mounting with pole diameter of 60 mm - stainless steel SS316L (1.4404 or V4A) without powder coating

Art. No.

263824

We reserve the right to make alterations to the technical data, dimensions, weights, designs and products available without notice. The illustrations cannot be considered binding.