

Installation Equipment

Wall-mounting socket 20 A



8570/21-306 Art. No. 150630



- Degree of protection IP66, extreme temperature range of -30 to +55 °C, usable worldwide
- Optional Ex e or Ex i auxiliary contacts for control and signaling purposes, further optional equipment
- With AC-3 motor switching capacity according to IEC/EN 60947-3

WebCode 8570F



R. STAHL Series 8570/21 SolConeX sockets for Zone 1/21 in a 3-,4- and 5-pole version have full AC-3 switching capacity up to 20 A. The high degree of protection IP66 guarantees the highest level of protection against the penetration of dust and/or water in any application position. Self-cleaning lamellar contacts provide optimum contact and the plugs can be inserted and removed in the zero position quickly and easily. The load disconnect switch, with mechanical locking device and a handle that can be locked in the 0 or I position, is an additional safety feature.

Technical Data

Explosion Protection

Scope of validity	European Union (ATEX) Canada IECEX USA
Application range (zones)	1 2 21 22
IECEX gas certificate	IECEX PTB 05.0023
IECEX gas explosion protection	Ex db eb IIC T6 Gb
IECEX dust certificate	IECEX PTB 05.0023
IECEX dust explosion protection	Ex tb IIIC T80 °C Db
ATEX gas certificate	PTB 03 ATEX 1227
ATEX gas explosion protection	⊕ II 2 G Ex db eb IIC T6 Gb
ATEX dust certificate	PTB 03 ATEX 1227
ATEX dust explosion protection	⊕ II 2 D Ex tb IIIC T80 °C Db
FMus certificate	0R6A2.AX
Marking FMus	Class I, Div. 2, Groups A,B,C,D; Class II, III, Div. 1, Groups E,F,G; Enclosure Type 3, 4, 4X Class I, Zone 1, AEx d e IIC T6
Certificate cCSA	LR 99480
Certificates	ATEX (PTB), IECEX (PTB), USA (FM)

Electrical Data

Rated operational voltage	250 V AC
Rated operational current	20 A
Electrical service life	> 5x10 ³ switching cycles

Installation Equipment

Wall-mounting socket 20 A



8570/21-306 Art. No. 150630

Electrical Data

Mechanical service life	> 5x10 ³ switching cycles
Type of voltage	Low voltage
Frequency range	50 / 60 Hz

Device Specific Data

Back-up fuse with thermal protection	35 A gG
Back-up fuse without thermal protection	20 A gG

Ambient Conditions

Ambient temperature	-30 °C ... +55 °C (T6, 20 A)
Ambient temperature	-22 °F ... +131 °F (20 A)

Mechanical Data

IP degree of protection (IEC 60529)	IP66
IP degree of protection (IEC 60079)	IP66
Enclosure type (NEMA250)	3, 4, 4X
Enclosure material	Polyamide, Glass fibre reinforced
Silicone-free	No
Solid connection cross-section	1 x 1.5 mm ² ... 2 x 6 mm ²
Connection cross-section AWG single stranded	1 x AWG 16 ... 2 x AWG 10
Finely stranded connection cross-section	1 x 1.5 mm ² ... 2 x 4 mm ²
Finely stranded connection cross-section AWG	1 x AWG 16 ... 2 x AWG 12
Width	105 mm
Width in inches	4.13 in
Height	167 mm
Height, inches	6.59 in
Length	231 mm
Length, inches	9.11 in
Impact strength (IEC 60079)	7 J
Impact strength (IEC 62262)	IK10
Colour code	Blue
Coding (clock hour position)	6
Lockable in	in 0- and I-position
Series	SolConeX
Detailed number of poles	2-pole, 3 conductors
Weight	0.5 kg
Weight	1.1 lb

Mounting / Installation

Connection	Screw terminal
------------	----------------

Components

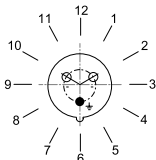
Entry 1 model	8166/11-02-N
Entry 1 type	Metal conduit hub
Entry 1	NPT 3/4"
Metal entry possible 1	Yes
Entry 2 model	8290/3-M25
Entry 2 type	Polyamide stopping plug

8570/21-306 Art. No. 150630

Components

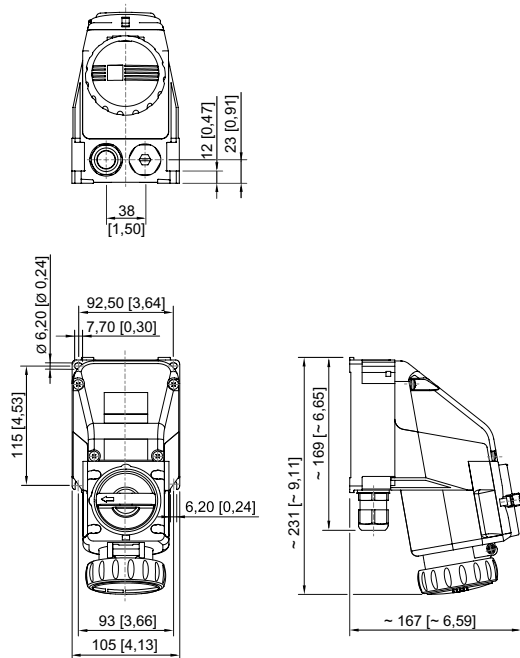
Entry 2	M25 x 1.5
Metal entry possible 2	No

Technical Drawings – Subject to Alterations



Position of clock hour position
Example: 6 h position

Dimensional Drawings (All Dimensions in mm [inches]) – Subject to Alterations



3-pole wall-mounting socket

We reserve the right to make alterations to the technical data, dimensions, weights, designs and products available without notice. The illustrations cannot be considered binding.