

Installation equipment

Maintenance socket 16 A No mechanical locking device

With indicator lamp Maintenance socket

8570/51-307-S-01-0-XX-XXX Art. No. 296272



- Different voltage ranges according to EN 60309
- Wide temperature range
- High mechanical impact and shock resistance
- Perfect protection against penetration of liquids and dusts
- Connection of industrial equipment for service work
- With sign "Do not switch on if there is an explosion hazard"
- 3D data for download on the website

MY R. STAHL 8570T



The R. STAHL 8570/51 series SolConeX repair sockets are used for repair work with non-Ex devices (according to IEC/EN 60309) in Zones 1, 2, 21 and 22. They offer full AC-3 switching capacity up to 16 A and can switch motors/pumps, etc. directly. The indicator lamps displaying the operating status and the large handle, which can be locked in the zero position to protect against unauthorised use, provide added safety.

Technical Data

Explosion Protection

| | |
|---------------------------------|--------------------------------|
| Scope of validity | European Union (ATEX) IECEX |
| Application range (zones) | 1 2 21 22 |
| IECEX gas certificate | IECEX PTB 21.0026X |
| IECEX gas explosion protection | Ex db eb IIC T6 Gb |
| IECEX dust certificate | IECEX PTB 21.0026X |
| IECEX dust explosion protection | Ex tb IIIC T73 °C Db |
| ATEX gas certificate | PTB 06 ATEX 1008 X |
| ATEX gas explosion protection | ⊕ II 2 G Ex db eb IIC T6 Gb |
| ATEX dust certificate | PTB 06 ATEX 1008 X |
| ATEX dust explosion protection | ⊕ II 2 D Ex tb IIIC T73 °C Db |
| Certificates | ATEX (PTB), IECEX (PTB) |

Electrical Data

| | |
|----------------------------------|---|
| Rated operational voltage | 480 to 500 V AC |
| Rated operational current | 16 A |
| Rated operational current note | Usable for up to 20 A depending on the connection cross-section |
| Electrical service life | > 5x10 ³ switching cycles |
| Mechanical service life | > 5x10 ³ switching cycles |
| Type of voltage | Low voltage |
| Utilisation category | AC-3: 500 V / 16 A AC-3: 500 V / 20 A DC-1: 110 V / 16 A |
| Switching capacity main contacts | 4 kW: 200 to 250 V AC 7.5 kW: 380 to 500 V AC |

Installation equipment



Maintenance socket 16 A No mechanical locking device

With indicator lamp Maintenance socket

8570/51-307-S-01-0-XX-XXX Art. No. 296272

Electrical Data

| | |
|-----------------|------------|
| Frequency range | 50 / 60 Hz |
|-----------------|------------|

Device Specific Data

| | |
|--------------------------------------|---------|
| Back-up fuse with thermal protection | 35 A gG |
|--------------------------------------|---------|

| | |
|---|---------|
| Back-up fuse without thermal protection | 16 A gG |
|---|---------|

Ambient Conditions

| | |
|---------------------|-------------------|
| Ambient temperature | -50 °C ... +65 °C |
|---------------------|-------------------|

| | |
|---------------------|--------------------|
| Ambient temperature | -58 °F ... +149 °F |
|---------------------|--------------------|

| | |
|--------------------------|--|
| Ambient temperature note | For further information, see the operating instructions. |
|--------------------------|--|

Mechanical Data

| | |
|-------------------------------------|------|
| Degree of protection IP (IEC 60529) | IP66 |
|-------------------------------------|------|

| | |
|-------------------------------------|------|
| IP degree of protection (IEC 60079) | IP64 |
|-------------------------------------|------|

| | |
|--------------------|-----------------------------------|
| Enclosure material | Polyamide, Glass fibre reinforced |
|--------------------|-----------------------------------|

| | |
|---------------|----|
| Silicone-free | No |
|---------------|----|

| | |
|--------------------------------|---|
| Solid connection cross-section | 1 x 1.5 mm ² ... 2 x 6 mm ² |
|--------------------------------|---|

| | |
|--|---------------------------|
| Connection cross-section AWG single stranded | 1 x AWG 16 ... 2 x AWG 10 |
|--|---------------------------|

| | |
|--|---|
| Finely stranded connection cross-section | 1 x 1.5 mm ² ... 2 x 4 mm ² |
|--|---|

| | |
|--|---------------------------|
| Finely stranded connection cross-section AWG | 1 x AWG 16 ... 2 x AWG 12 |
|--|---------------------------|

| | |
|-------|--------|
| Width | 105 mm |
|-------|--------|

| | |
|-----------------|---------|
| Width in inches | 4.13 in |
|-----------------|---------|

| | |
|--------|--------|
| Height | 167 mm |
|--------|--------|

| | |
|----------------|---------|
| Height, inches | 6.58 in |
|----------------|---------|

| | |
|--------|--------|
| Length | 231 mm |
|--------|--------|

| | |
|----------------|---------|
| Length, inches | 9.11 in |
|----------------|---------|

| | |
|-----------------------------|-----|
| Impact strength (IEC 60079) | 7 J |
|-----------------------------|-----|

| | |
|-----------------------------|------|
| Impact strength (IEC 62262) | IK10 |
|-----------------------------|------|

| | |
|-------------|-------|
| Colour code | Black |
|-------------|-------|

| | |
|------------------------------|---|
| Coding (clock hour position) | 7 |
|------------------------------|---|

| | |
|-------------|----------------------|
| Lockable in | in 0- and I-position |
|-------------|----------------------|

| | |
|--------|----------|
| Series | SolConeX |
|--------|----------|

| | |
|--------------------------|----------|
| Detailed number of poles | 2 P + PE |
|--------------------------|----------|

| | |
|--------|---|
| Weight | - |
|--------|---|

Mounting / Installation

| | |
|------------|----------------|
| Connection | Screw terminal |
|------------|----------------|

Components

| | |
|------------------|---|
| Cable entry note | Entry 1: Lower left Entry 2: Lower right |
|------------------|---|

| | |
|---------------|--------------------|
| Entry 1 model | 8161/7-M25-1707-LT |
|---------------|--------------------|

| | |
|--------------|-----------------------|
| Entry 1 type | Polyamide cable gland |
|--------------|-----------------------|

| | |
|---------|-----------|
| Entry 1 | M25 x 1.5 |
|---------|-----------|

| | |
|-----------------------|-----------|
| Entry 1 terminal area | 7 – 17 mm |
|-----------------------|-----------|

| | |
|------------------------------|----------------|
| Entry 1 clamping range, inch | 0.28 – 0.67 in |
|------------------------------|----------------|

| | |
|------------------------|----|
| Metal entry possible 1 | No |
|------------------------|----|

| | |
|---------------|------------|
| Entry 2 model | 8290/3-M25 |
|---------------|------------|

Installation equipment



Maintenance socket 16 A No mechanical locking device

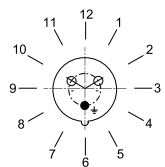
With indicator lamp Maintenance socket

8570/51-307-S-01-0-XX-XXX Art. No. 296272

Components

| | |
|------------------------|-------------------------|
| Entry 2 type | Polyamide stopping plug |
| Entry 2 | M25 x 1.5 |
| Metal entry possible 2 | No |

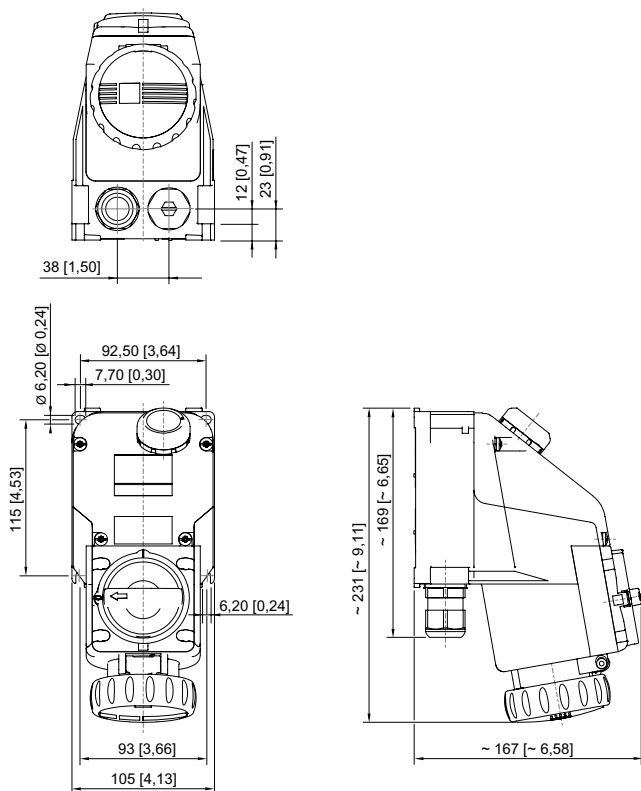
Technical Drawings – Subject to Alterations



Position of clock hour position

Example: 6 h position

Dimensional Drawings (All Dimensions in mm [inches]) – Subject to Alterations

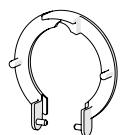


3-pole maintenance socket

Accessories

Dust cover for sockets, series 8570

Art. No.



Retrofittable dust protection for 3-pole sockets

253118

Spare Parts

Repair set for Series 8570 sockets

Art. No.

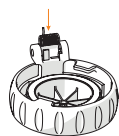
Installation equipment



Maintenance socket 16 A No mechanical locking device

With indicator lamp Maintenance socket

8570/51-307-S-01-0-XX-XXX Art. No. 296272



Repair set 8570 hinged cover, 3-pole, black

274119

We reserve the right to make alterations to the technical data, dimensions, weights, designs and products available without notice. The illustrations cannot be considered binding.