

8571/11-406-S012 Art. No. 214068



- Optional: Pluggable, easily retrofittable Ex e or Ex i auxiliary contacts for control and signalling purposes
- Motor switching capacity AC-3 as per IEC/EN 60947-3
- Variants for use in the USA/Canada available on request
- Wide temperature range for use
- High mechanical impact and shock resistance
- Perfect protection against the ingress of liquids and dust
- 3D data available to download from the website

WebCode **8571A**



R. STAHL Series 8571/11 SolConeX sockets for Zone 1/21 in a 3-, 4- and 5-pole version have full AC-3 switching capacity up to 32 A. The high degree of protection IP66 guarantees the highest level of protection against the penetration of dust and/or water in any application position. Self-cleaning lamellar contacts provide optimum contact and the plugs can be inserted and removed in the zero position quickly and easily. The load disconnect switch, with mechanical locking device and a handle that can be locked in the 0 or I position, is an additional safety feature.

## Technical Data

| Explosion Protection             |  |
|----------------------------------|--|
| Scope of validity                | European Union (ATEX)<br>IECEX<br>China (CQST)   |
| Application range (zones)        | 1<br>2<br>21<br>22   |
| IECEX gas certificate            | IECEX PTB 05.0024  |
| IECEX gas explosion protection   | Ex db eb IIC T6 ... T5 Gb  |
| IECEX dust certificate           | IECEX PTB 05.0024  |
| IECEX dust explosion protection  | Ex tb IIIC T60 °C / T75 °C Db  |
| ATEX gas certificate             | PTB 04 ATEX 1060   |
| ATEX gas explosion protection    | ⊕ II 2 G Ex db eb IIC T6 ... T5 Gb   |
| ATEX dust certificate            | PTB 04 ATEX 1060   |
| ATEX dust explosion protection   | ⊕ II 2 D Ex tb IIIC T60 °C / T75 °C Db   |
| Certificates                     | IECEX (PTB), Korea (KGS), Taiwan (ITRI)  |
| Explosion protection note        | Product label may vary. Series devices have certification according to ATEX and IECEX. |
| Electrical Data                  |  |
| Rated operational voltage AC     | 380 to 415 V AC  |
| Rated operational current        | 32 A   |
| Electrical service life          | > 2x10 <sup>3</sup> switching cycles   |
| Mechanical service life          | > 2x10 <sup>3</sup> switching cycles   |
| Type of voltage                  | Low voltage  |
| Switching capacity main contacts | 7.5 kW: 220 to 240 V<br>15 kW: 380 to 415 V<br>30 kW: 600 to 690 V                     |

8571/11-406-S012 Art. No. 214068

### Electrical Data

|                 |            |
|-----------------|------------|
| Frequency range | 50 / 60 Hz |
|-----------------|------------|

### Device Specific Data

|                                      |         |
|--------------------------------------|---------|
| Back-up fuse with thermal protection | 63 A gG |
|--------------------------------------|---------|

|   |         |
|---|---------|
| Back-up fuse without thermal protection | 35 A gG |
|---|---------|

### Ambient Conditions

|                     |                        |
|---------------------|------------------------|
| Ambient temperature | -30 °C ... +40 °C (T6) |
|                     | -30 °C ... +55 °C (T5) |

### Mechanical Data

|                                     |      |
|-------------------------------------|------|
| IP degree of protection (IEC 60529) | IP66 |
|-------------------------------------|------|

|                                     |      |
|-------------------------------------|------|
| IP degree of protection (IEC 60079) | IP66 |
|-------------------------------------|------|

|                    |                                   |
|--------------------|-----------------------------------|
| Enclosure material | Polyamide, Glass fibre reinforced |
|--------------------|-----------------------------------|

|               |     |
|---------------|-----|
| Silicone-free | Yes |
|---------------|-----|

|                                |  |
|--------------------------------|--|
| Solid connection cross-section | 1 x 2.5 mm <sup>2</sup> ... 2 x 10 mm <sup>2</sup> |
|--------------------------------|--|

|  |                          |
|--|--------------------------|
| Connection cross-section AWG single stranded | 1 x AWG 14 ... 2 x AWG 8 |
|--|--------------------------|

|  |   |
|--|---|
| Finely stranded connection cross-section | 1 x 2.5 mm <sup>2</sup> ... 2 x 6 mm <sup>2</sup> |
|--|---|

|  |                           |
|--|---------------------------|
| Finely stranded connection cross-section AWG | 1 x AWG 14 ... 2 x AWG 10 |
|--|---------------------------|

|       |        |
|-------|--------|
| Width | 135 mm |
|-------|--------|

|                 |         |
|-----------------|---------|
| Width in inches | 5.31 in |
|-----------------|---------|

|        |        |
|--------|--------|
| Height | 206 mm |
|--------|--------|

|                |         |
|----------------|---------|
| Height, inches | 8.12 in |
|----------------|---------|

|        |        |
|--------|--------|
| Length | 280 mm |
|--------|--------|

|                |          |
|----------------|----------|
| Length, inches | 11.04 in |
|----------------|----------|

|                             |     |
|-----------------------------|-----|
| Impact strength (IEC 60079) | 7 J |
|-----------------------------|-----|

|                             |      |
|-----------------------------|------|
| Impact strength (IEC 62262) | IK10 |
|-----------------------------|------|

|             |     |
|-------------|-----|
| Colour code | Red |
|-------------|-----|

|                              |   |
|------------------------------|---|
| Coding (clock hour position) | 6 |
|------------------------------|---|

|             |                      |
|-------------|----------------------|
| Lockable in | in 0- and I-position |
|-------------|----------------------|

|        |          |
|--------|----------|
| Series | SolConeX |
|--------|----------|

|                          |          |
|--------------------------|----------|
| Detailed number of poles | 3 P + PE |
|--------------------------|----------|

|        |        |
|--------|--------|
| Weight | 2.2 kg |
|--------|--------|

|        |         |
|--------|---------|
| Weight | 4.85 lb |
|--------|---------|

### Mounting / Installation

|            |                |
|------------|----------------|
| Connection | Screw terminal |
|------------|----------------|

### Components

|                  |                      |
|------------------|----------------------|
| Cable entry note | Entry 1: Lower left  |
|                  | Entry 2: Lower right |

|               |                               |
|---------------|-------------------------------|
| Entry 1 model | Can be ordered as accessories |
|---------------|-------------------------------|

|         |           |
|---------|-----------|
| Entry 1 | M32 x 1.5 |
|---------|-----------|

|                        |     |
|------------------------|-----|
| Metal entry possible 1 | Yes |
|------------------------|-----|

|               |            |
|---------------|------------|
| Entry 2 model | 8290/3-M32 |
|---------------|------------|

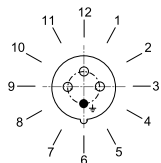
|              |                         |
|--------------|-------------------------|
| Entry 2 type | Polyamide stopping plug |
|--------------|-------------------------|

|         |           |
|---------|-----------|
| Entry 2 | M32 x 1.5 |
|---------|-----------|

|                        |     |
|------------------------|-----|
| Metal entry possible 2 | Yes |
|------------------------|-----|

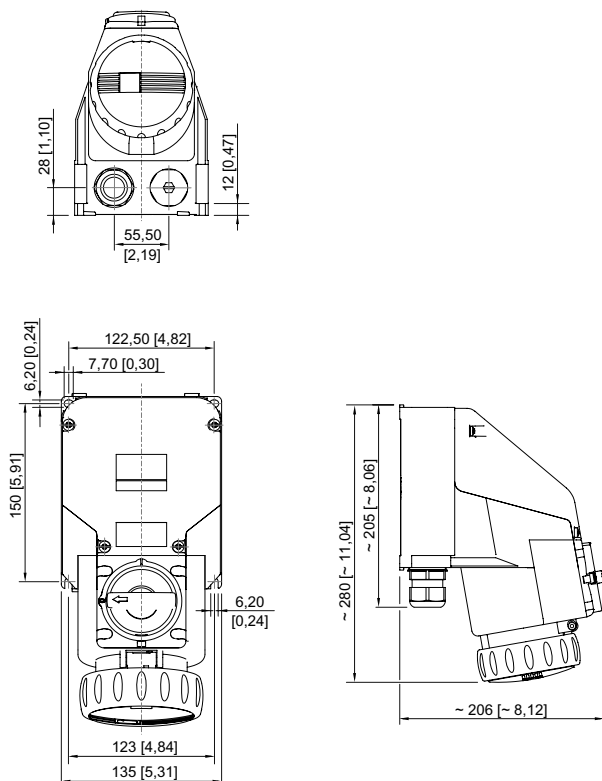
8571/11-406-S012 Art. No. 214068

### Technical Drawings – Subject to Alterations



Position of clock hour position  
Example: 6 h position

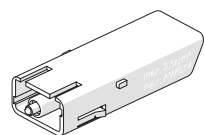
### Dimensional Drawings (All Dimensions in mm [inches]) – Subject to Alterations



Wall-mounting socket

## Accessories

Auxiliary contact optional, can be connected by the user, easy to retrofit



|   | Art. No. |
|---|----------|
| 1 NC<br>max. 500 V AC, max. 110 V DC<br>max. 6 A<br>1 x 0.5 to 2 x 2.5 mm <sup>2</sup> solid/finely stranded                      | 150680   |
| 1 NC, gold-plated contact<br>max. 500 V AC, max. 110 V DC<br>max. 6 A<br>1 x 0.5 to 2 x 2.5 mm <sup>2</sup> solid/finely stranded | 150684   |
| 1 NO<br>max. 500 V AC, max. 110 V DC<br>max. 6 A<br>1 x 0.5 to 2 x 2.5 mm <sup>2</sup> solid/finely stranded                      | 150682   |
| 1 NO, gold-plated contact<br>max. 500 V AC, max. 110 V DC<br>max. 6 A<br>1 x 0.5 to 2 x 2.5 mm <sup>2</sup> solid/finely stranded | 150686   |

# Installation Equipment

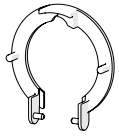
## Wall-mounting socket 32 A



8571/11-406-S012 Art. No. 214068

### Dust cover for 8571 series 32 A wall-mounting sockets

Art. No.



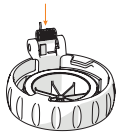
Retrofittable dust protection for 4-pole sockets

255005

### Spare Parts

#### Repair set for 8571 series 32 A sockets

Art. No.



8571 4-pole hinged cover repair set, red

275504

We reserve the right to make alterations to the technical data, dimensions, weights, designs and products available without notice. The illustrations cannot be considered binding.