

# Signalling devices



## Visual signalling device Xenon flashing beacon

In flameproof enclosure

FX15/C-L-050-A-EN-SF-A-ST-00-00-00 Art. No. 217981



- Lamp: Flashing beacon – XENON (5 J)/continuous beacon – LED (6.5 W)
- Type of protection: Ex d
- Class: IP66/IP67 (IEC 60529/NEMA 4X)
- Corrosion-resistant GRP enclosure
- Including stainless steel protective cage
- Eight light-amplifying Fresnel lens colours can be ordered
- Low weight (2.25 kg)

MY R. STAHL FX15A



The **FX15 product series** provides visual signals as a continuous beacon with LED or a 5 J flashing beacon with xenon flashes. The enclosure is made from glass fibre reinforced polyester. The product series is intended for use in hazardous and harsh environments.

### Technical Data

#### Explosion Protection

Scope of validity	IECEX European Union (ATEX)
Application range (zones)	1 2 21 22
IECEX gas certificate	IECEX BAS 13.0003
IECEX gas explosion protection	Ex d IIC T5 / T4 Gb
IECEX dust certificate	IECEX BAS 13.0003
IECEX dust explosion protection	Ex tb IIIC T83 °C / T113 °C Db
ATEX gas certificate	Baseefa 13 ATEX 0006
ATEX gas explosion protection	⊕ II 2 G Ex d IIC T5 / T4 Gb
ATEX dust certificate	Baseefa 13 ATEX 0006
ATEX dust explosion protection	⊕ II 2 D Ex tb IIIC T83 °C / T113 °C Db
Certificates	ATEX (BAS), IECEX (BAS)
Declaration of Conformity	ATEX (EUK)

#### Electrical Data

Rated operational voltage AC	115 V
Tolerance	-10 ... 10 %

#### Lighting Data

Lamp	Xenon flash tubes
Flashbulb	5 J
Flash rate	1 Hz

#### Ambient Conditions

Ambient temperature	-60 °C ... +40 °C (T5) -60 °C ... +55 °C (T4)
Operating temperature	-55 °C ... +55 °C

# Signalling devices



Visual signalling device Xenon flashing beacon

In flameproof enclosure

FX15/C-L-050-A-EN-SF-A-ST-00-00-00 Art. No. 217981

## Mechanical Data

Degree of protection (IP)	IP66
Degree of protection (IP) (IEC 60529)	IP66/IP67
Enclosure material	Polyester (GRP), Glass fibre reinforced
Enclosure colour	Black
Sealing material	Red silicone 70
Material dome	Polycarbonate, prismatic
Wire guard material	Stainless steel
Max. solid connection terminals	2.5 mm <sup>2</sup>
Max. finely stranded connection terminals	2.5 mm <sup>2</sup>
Type of connection cable	Solid Finely stranded
Width	137 mm
Height	239 mm
Length	148 mm
Lens colour	Amber
Seal	O-ring seal
Weight	2.25 kg
Weight	4.96 lb

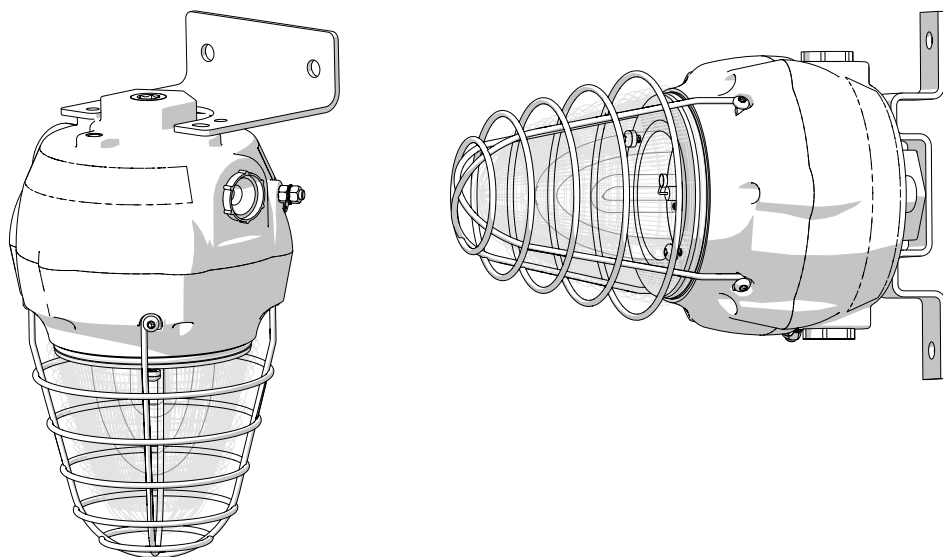
## Mounting / Installation

Connection type	Screw terminal
Mounting part material	Stainless steel
Note about mounting	Can be ordered as accessories

## Components

Drilled holes	3 x M20
Cable glands and entries	Can be ordered as accessories
Stopping plugs	3 x dust cap
Wire guard	Yes

## Technical Drawings – Subject to Alterations



# Signalling devices

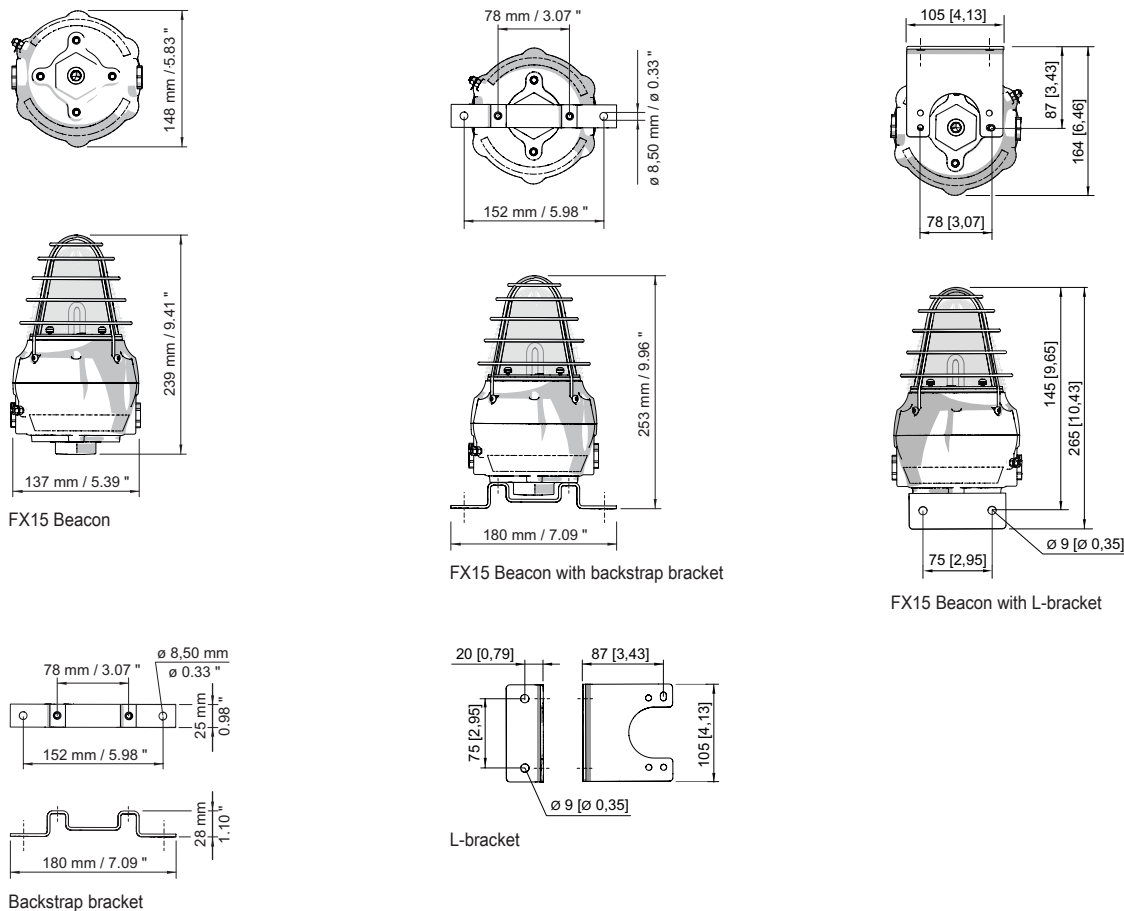


Visual signalling device Xenon flashing beacon

In flameproof enclosure

FX15/C-L-050-A-EN-SF-A-ST-00-00-00 Art. No. 217981

## Dimensional Drawings (All Dimensions in mm [inches]) – Subject to Alterations



## Accessories

### Metal cable gland



Ex d and Ex e cable gland with compound for all types of armoured cables (SWA, wire-braid, tape) (nickel-plated brass)  
Type 20PX2K, M20 x 1.5

Art. No.

109428



Ex d and Ex e cable glands with RapidEx sealing system for all types of unarmoured cables and wire-braid-armoured cables (nickel-plated brass)  
Type 20PX2K-REX, M20 x 1.5

246649

Ex d and Ex e cable glands with RapidEx sealing system for all types of unarmoured cables and wire-braid-armoured cables (nickel-plated brass)  
Type 20PXSS2K-REX, M20 x 1.5

246605

### Stopping plug



Stainless steel stopping plug M20x1.5 with hexagon insert bit

Art. No.

251101

## Signalling devices

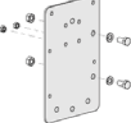
Visual signalling device Xenon flashing beacon

In flameproof enclosure


FX15/C-L-050-A-EN-SF-A-ST-00-00-00 Art. No. 217981


STAHL


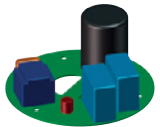
### Mounting accessories

		Art. No.
	Stainless steel L-bracket, standard version	221711
	Stainless steel L-bracket, long version	247371
	Stainless steel fastening bracket	221712
	Adapter plate for pipe clamp fastening	256519
	Stainless steel sun shield	262077
	Pipe clamp, R 1 1/4"	120812
	Pipe clamp, R 1 1/2"	120819
	Pipe clamp, R 2"	120823

### Spare Parts

Flange		Art. No.
	Flange, ATEX, amber (available for FL6S, FX15, YL6S)	243407

Fresnel lens		Art. No.
	Fresnel lens, amber, spare	292060

PCB		Art. No.
	Connection PCB	223579
	Electronic PCB, 115 V AC, 5 joules	223632

Lamp		Art. No.
	Xenon lamp	223636

## Signalling devices



Visual signalling device Xenon flashing beacon

In flameproof enclosure

FX15/C-L-050-A-EN-SF-A-ST-00-00-00 Art. No. 217981

---

We reserve the right to make alterations to the technical data, dimensions, weights, designs and products available without notice. The illustrations cannot be considered binding.