



- High degree of protection, IP66/67, IP67 without breather
- Manufactured in acid proof stainless steel (AISI 316L)
- Stainless steel Type Label spot welded to the cover
- Several earthing alternatives
- Maximum strength and corrosion resistance
- High operational reliability
- Low lifetime maintenance cost
- Recommended for up to 2 heating cables

MY R. STAHL T1058K



Tranberg heat trace boxes are represented in most of the oil installations in the North Sea, petrochemical industry and other industries subjected to rough environments.

Tranberg has designed and manufactured heat tracing equipment and heating applications for rough environments for more than 25 years.

Our product range includes a number of different heat tracing junction boxes.

Technical Data

Explosion Protection

| | |
|--------------------------------|--------------------------------|
| Scope of validity | IECEX European Union (ATEX) |
| Application range (zones) | 1 2 |
| IECEX gas certificate | IECEX PRE 14.0001 |
| IECEX gas explosion protection | Ex eb IIC T5 Gb |
| ATEX gas certificate | Presafe 14 ATEX 4124 |
| ATEX gas explosion protection | Ⓔ II 2 G Ex eb IIC T5 Gb |

Electrical Data

| | |
|------------------------------|-------|
| Rated operational voltage AC | 690 V |
|------------------------------|-------|

Ambient Conditions

| | |
|---------------------|-------------------|
| Ambient temperature | -50 °C ... +50 °C |
|---------------------|-------------------|

Mechanical Data

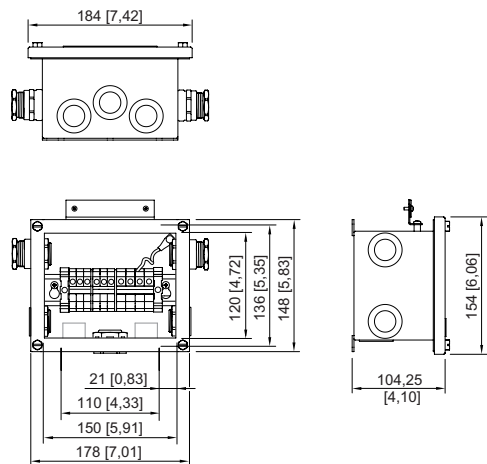
| | |
|-------------------------------------|--|
| Degree of protection IP (IEC 60529) | IP66 |
| Enclosure material | Stainless steel 1.4404, (AISI 316L), electropolished |
| Silicone-free | No |
| Connection cross-section | 6 mm ² |
| Weight | - |

Components

| | |
|---------------------|--|
| Entry 4 | 6 x Through hole, without cable entry M25 |
| Terminal rail | 35 (1x) |
| Type of terminals 1 | 10 x Phoenix UK 2-conductor, 6 mm ² , grey |

TEF10581648 Art. No. 259492

Dimensional Drawings (All Dimensions in mm [inches]) – Subject to Alterations



TEF10581608 and TEF10581648

We reserve the right to make alterations to the technical data, dimensions, weights, designs and products available without notice. The illustrations cannot be considered binding.