

Isolators

Transmitter supply unit

Ex i field circuit

9260/19-11-10s Art. No. 261385



- Universal use for 2-wire transmitters and mA sources (4-wire transmitter)
- Slim design – 12.5 mm wide – for one- and two-channel versions
- Can be used for safety levels up to SIL 2 (IEC/EN 61508)

WebCode 9260A



Series 9260 transmitter supply units can be used for the intrinsically safe operation of two-wire transmitters or intrinsically safe mA sources such as 4-wire transmitters. The device allows HART signals to be transmitted in both directions. The portfolio includes single- and dual-channel devices and a version for signal duplication.

Technical Data

Explosion Protection

| | |
|---------------------------------|--|
| Application range (zones) | 2 |
| Ex interface zone | 0 1 2 20 21 22 |
| IECEX gas certificate | IECEX BVS 17.0081X |
| IECEX gas explosion protection | Ex nA [ia Ga] IIC T4 Gc |
| IECEX dust certificate | IECEX BVS 17.0081X |
| IECEX dust explosion protection | [Ex ia Da] IIIC |
| ATEX gas certificate | BVS 17 ATEX E 089 X |
| ATEX gas explosion protection | ⊕ II 3 (1) G Ex nA [ia Ga] IIC T4 Gc |
| ATEX dust certificate | BVS 17 ATEX E 089 X |
| ATEX dust explosion protection | ⊕ II (1) D [Ex ia Da] IIIC |
| cULus certificate | E81680 |
| Marking cULus | Class I, Div. 2, Groups A,B,C,D; Class I, Zone 2, AEx/Ex nA Group IIC AIS Class I,II,III, Div. 1, Groups A,B,C,D,E,F,G; Class I, Zone 0, [Ex ia] IIC T4 any mounting pos. Ta = 60°C See Doc. 9260 6 031 001 3 |
| Certificates | ATEX (BVS), Canada / USA (UL), EAC (ENDCE), IECEx (BVS), Korea (KTL), SIL (BVS) |
| Ship approval | DNV |
| Notes | CCC, EAC, UKCA and metrological certificate available from 2022 onward |

Safety Data

| | |
|--------------------|--------|
| Max. voltage U_0 | 25.2 V |
| Max. current I_0 | 93 mA |

Safety Data

| | |
|--|---------------|
| Max. power P_o | 587 mW |
| Max. permissible external capacity C_o for IIC | 0.107 μ F |
| Max. permissible external capacity C_o for IIB | 0.82 μ F |
| Max. permissible external inductance L_o for IIC | 2 mH |
| Max. permissible external inductance L_o for IIB | 4 mH |
| Max. voltage U_i | 30 V |
| Max. current I_i | 150 mA |
| Internal capacitance | Negligible |
| Internal capacitance isolation amplifier | Negligible |
| Internal inductance | Negligible |
| Internal inductance L_i isolation amplifier | Negligible |
| Safety-related max. voltage | 253 V AC |

Functional Safety

| | |
|-----|---|
| SIL | 2 |
|-----|---|

Electrical Data

| | |
|--------------------------------------|------|
| Number of channels | 1 |
| Measuring transformer feed operation | Yes |
| Isolation amplifier operation | Yes |
| LFD relay | No |
| Communication signal | HART |

Auxiliary Power

| | |
|--|-----------------|
| Auxiliary power | 24 V DC |
| Auxiliary power nominal voltage | 24 V DC |
| Auxiliary power voltage range | 19.2 to 30 V |
| Nominal current | 75 mA |
| Auxiliary power max. power dissipation | 1.45 W |
| Power consumption | 1.8 W |
| Polarity reversal protection | Yes |
| Operation indication | Green "PWR" LED |

Galvanic Isolation

| | |
|-------------------------------|----------------------|
| Test voltage as per standard | IEC EN 60079-11 |
| Ex i input to output | 375 V peak value |
| Ex i input to auxiliary power | 375 V peak value |
| Test voltage as per standard | EN 61010/EN 50178 |
| Output to auxiliary power | 300 V _{eff} |
| Output to output | 300 V _{eff} |

Input

| | |
|----------------------|---|
| Input function | Isolation amplifier Transmitter power unit |
| Input | 0/4 – 20 mA |
| Input signal | 0/4 to 20 mA with HART |
| Function range input | 0 ... 24 mA |

Input

| | |
|----------------------------------|-----------------|
| Short-circuit current | ≥ 22.5 mA |
| Supply voltage for transmitter | ≥ 16 V at 20 mA |
| Isolation amplifier voltage drop | < 3,5 V |

Output

| | |
|------------------------------------|------------------------------|
| Output | 0/4 to 20 mA with HART |
| Output signal | 0/4 to 20 mA active |
| Function range output | 0 – 24 mA |
| Output A | 0/4 to 20 mA |
| Output B | 0/4 to 20 mA (without HART) |
| Output current at $I_e=0$ | 0 mA |
| Max. load resistance R_L | 450 Ω |
| Output residual ripple | < 20 mV _{eff} |
| Settling time 10-90% | < 200 μs |
| Settling time note | Isolating repeater: < 600 μs |
| Temperature influence error limits | < 0.1% / 10 K |
| Deviation | ≤ 0,1 % |
| Typical deviation | 0.05 % |
| Behaviour of the output | = input signal |

Ambient Conditions

| | |
|-------------------------------|---|
| Ambient temperature | -20 °C ... +60 °C |
| Ambient temperature | -4 °F ... +140 °F |
| Storage temperature | -40 °C ... +80 °C |
| Storage temperature | -40 °F ... +176 °F |
| Maximum relative humidity | 10 to 95% |
| Use at the height of | < 2000 m |
| Electromagnetic compatibility | EN 61326-1 Use in industrial environment Immunity according to EN 61000-6-2 Interference emission to EN 61000-6-4 |

Mechanical Data

| | |
|-------------------------------------|-----------|
| Degree of protection (IP) | IP30 |
| Degree of protection (IP) terminals | IP20 |
| Fire resistance (UL 94) | V0 |
| Enclosure material | Polyamide |
| AWG clamping range | 24 – 12 |
| Connection cross-section AWG | 24 ... 12 |
| Grid dimension | 12.5 mm |
| Width | 12.5 mm |
| Width, inches | 0.49 in |
| Height | 114.5 mm |
| Length | 112.5 mm |
| Length, inches | 4.43 in |
| Mounting depth, inches | 4.51 in |
| Weight | 0.195 kg |
| Weight | 0.43 lb |

Isolators

Transmitter supply unit

Ex i field circuit

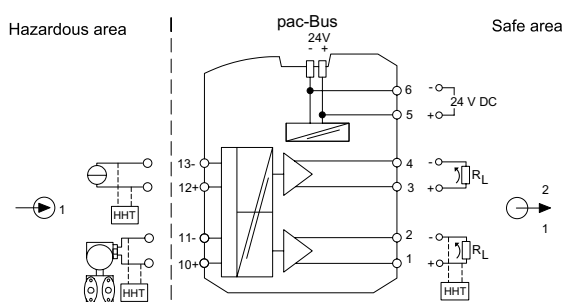
9260/19-11-10s Art. No. 261385



Mounting / Installation

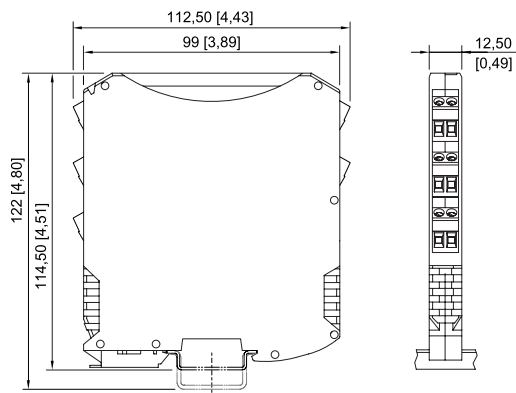
| | |
|------------------------------------|----------------------------|
| Mounting type | DIN rail NS35/15, NS35/7.5 |
| Mounting orientation | Horizontal Vertical |
| Connection type | Screw terminal |
| Min. rigid conductor cross section | 0.2 mm ² |
| Max. rigid conductor cross section | 2.5 mm ² |
| Min. flex conductor cross section | 0.2 mm ² |
| Max. flex conductor cross section | 2.5 mm ² |

Technical Drawings – Subject to Alterations



Connection diagram 9260/19-11-10

Dimensional Drawings (All Dimensions in mm [inches]) – Subject to Alterations



ISpac Series 9260, 9265, 9270, 9275, 9276, 9282 with screw terminal

Accessories

Supply modul

| | | Art. No. |
|--|---|----------|
| | Redundant supply of 24 V DC auxiliary power (with fuse) and reading the collective error message for 92xx series ISpac modules which support this function. Connection screw terminal | 268183 |
| | Redundant supply of 24 V DC auxiliary power (with fuse) and reading the collective error message for 92xx series ISpac modules which support this function. Connection spring clamp terminal | 268184 |

Isolators


Transmitter supply unit

Ex i field circuit

9260/19-11-10s Art. No. 261385



pac-Bus

| | | |
|--|--|---------------------------|
|  | Wiring for power supply and common error messaging | Art. No. 262928 |
|--|--|---------------------------|

We reserve the right to make alterations to the technical data, dimensions, weights, designs and products available without notice. The illustrations cannot be considered binding.