

6036/1225-450-0771-31 Art. No. 274324



- Degree of protection IP66 and IP68
- Type of protection Ex d
- Vibration-resistant, lightweight, robust (impact strength rating of IK10) and maintenance-free
- Many light fittings can be connected to single miniature circuit breaker due to incredibly low start-up current

Webshop 6036B



The 6036 series compact LED tubular light fitting is ideal for general lighting applications and for use as machine lighting, even in relatively inaccessible places with very little space. This light boasts a long service life of up to 100,000 hours thanks to its use of energy-efficient LED technology, coupled with electronics that have been developed in-house by R. STAHL. Due to its robust construction, it can withstand extreme temperatures of between -55 °C and +60 °C.

Technical Data

Explosion Protection

| | |
|----------------------------------|--|
| Application range (zones) | 1 2 21 22 |
| IECEEx gas certificate | IECEEx EPS 13.0027 |
| IECEEx gas explosion protection | Ex db op is IIC T4 Gb |
| IECEEx dust certificate | IECEEx EPS 13.0027 |
| IECEEx dust explosion protection | Ex tb IIIC T100 °C Db |
| ATEX gas certificate | EPS 13 ATEX 1 597 |
| ATEX gas explosion protection | Ex II 2 G Ex db op is IIC T4 Gb |
| ATEX dust certificate | EPS 13 ATEX 1 597 |
| ATEX dust explosion protection | Ex II 2 D Ex tb IIIC T100 °C Db |
| Certificates and approvals | ATEX IECEEx ship approval (DNV GL) |
| Certificates | ATEX (BVIS), IECEEx (BVIS) |
| Ship approval | DNV GL |

Electrical Data

| | |
|------------------------------|-------------|
| Rated operational voltage AC | 220 – 240 V |
| Rated operational voltage DC | 209 – 240 V |
| Power factor | ≥ 0.95 |
| Frequency range | 50 – 60 Hz |

Lighting Data

| | |
|-----------------|----------------|
| Number of lamps | 1 |
| Lamp wattage | 25 W |
| Lamp | Single-row LED |
| Light colour | Neutral white |

6036/1225-450-0771-31 Art. No. 274324

Lighting Data

| | |
|--------------------|---|
| Light distribution | Cylinder optics 20°x160° |
| Luminaire efficacy | 111 lm/W |
| Luminous flux | 2834 lm |
| Colour rendering | ≥ 80 |
| Colour temperature | 5000 K |
| Note | Values apply to T _a = +25 °C |

Ambient Conditions

| | |
|---------------------|---|
| Ambient temperature | -50 °C ... +60 °C (Energise above -40 °C) |
| Storage temperature | -40 °C ... +70 °C |

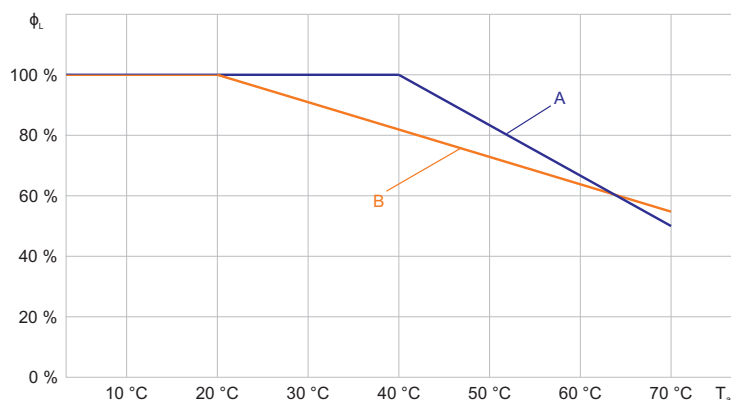
Mechanical Data

| | |
|-------------------------------------|-----------------------------|
| Version | Size 2 |
| Degree of protection (IP) | IP66 / IP67 |
| IP degree of protection (IEC 60598) | IP66 / IP68 (10 m / 60 min) |
| Class | II |
| Enclosure material | Polycarbonate |
| Silicone-free content | Silicone-free |
| Pipe material | Polycarbonate |
| Type of connection cable | RADOX MFH-S B 2x1.5 |
| Cable length | 10 m |
| Size | 2 |
| Width | 54 mm |
| Height | 54 mm |
| Length | 762 mm |
| Diameter | 54 mm |
| Impact strength (IEC 62262) | IK10 |
| Weight | 2.2 kg |
| Weight | 4.85 lb |

Components

| | |
|------------|----------|
| Ballast | LED, CSS |
| Wire guard | No |

Technical Drawings – Subject to Alterations



Luminous flux decrease at ambient temperature

A: Size 1 (110 ... 240 V)

B: Size 1 (24 ... 48 V)

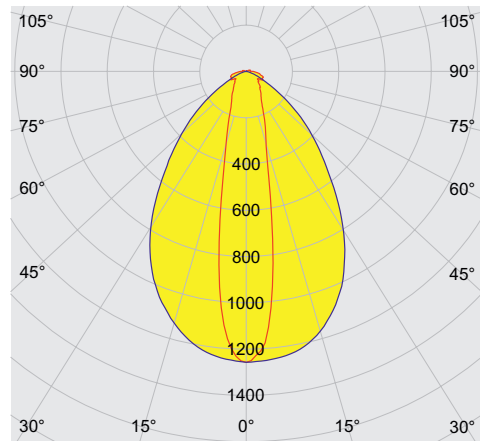
6036/1225-450-0771-31 Art. No. 274324



Luminous flux decrease at ambient temperature

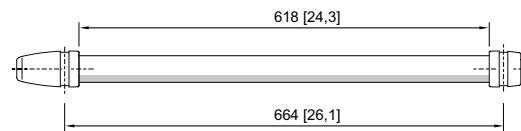
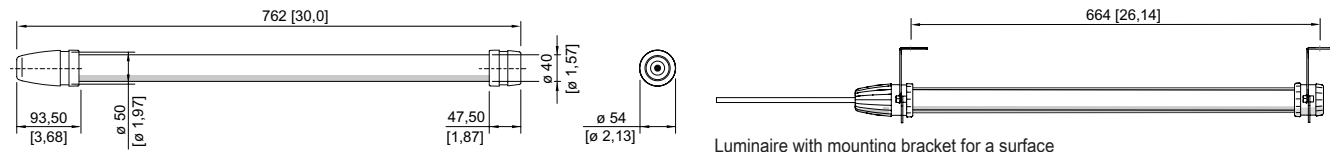
- A: Size 2
- B: Size 3
- C: Size 4

Light Distribution Curves



cd/klm 100%
 — C0 - C180 — C90 - C270
 cylinder optics 20°x160°

Dimensional Drawings (All Dimensions in mm [inches]) – Subject to Alterations



Design size 2

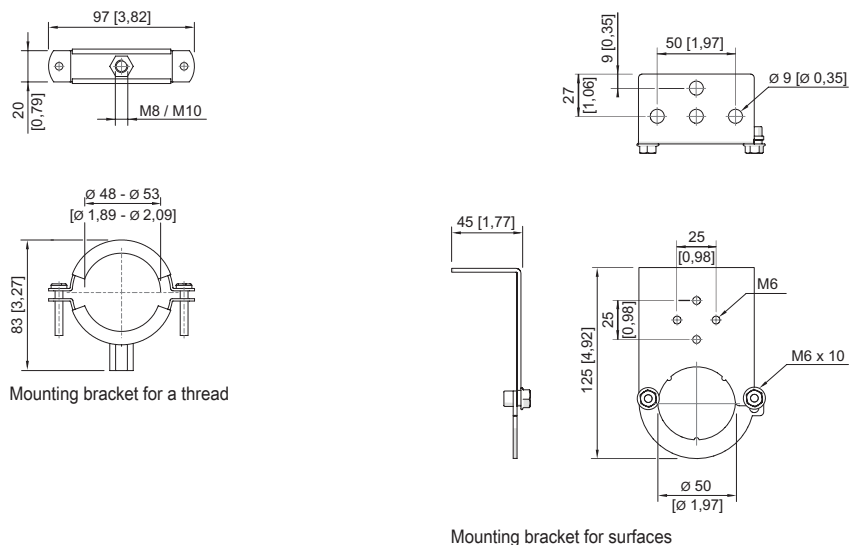


Luminaire with mounting bracket for a surface and mounting plate



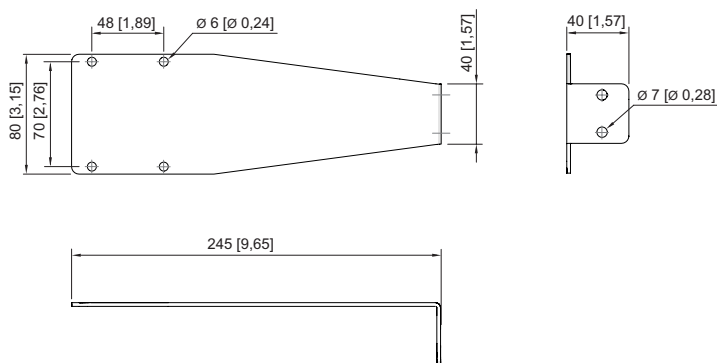
Luminaire with mounting bracket for a thread

6036/1225-450-0771-31 Art. No. 274324



Mounting bracket for a thread

Mounting bracket for surfaces



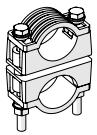
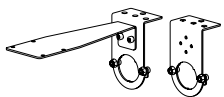
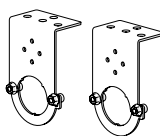



Mounting plate

Accessories

| Plug | | Art. No. |
|------|---|----------|
| | 8573/12-200 2-pole, 20 to 25 V, 50 / 60 Hz, 16 A | 243197 |
| | 8573/12-210 2-pole, 20 to 25 V, DC, 16 A | 243203 |
| | 8573/12-300 3-pole, 20 to 25 V, 50 / 60 Hz, 16 A | 243190 |
| | 8573/12-312 3-pole, 40 to 50 V, 50 / 60 Hz, 16 A | 243195 |
| | 8570/12-304 3-pole, 100 to 130 V AC, 50 / 60 Hz, 16 A | 257778 |
| | 8570/12-306 3-pole, 200 to 250 V AC, 50 / 60 Hz, 16 A | 257780 |

| Mounting bracket | | Art. No. |
|------------------|---|----------|
| | Mounting bracket made of galvanised sheet steel to screw onto thread M8 or M10 (2 pieces) | 227256 |
| | Mounting bracket made of stainless steel V4A to screw onto thread M8 or M10 (2 pieces) | 227257 |

6036/1225-450-0771-31 Art. No. 274324

| | | |
|---|--|-----------------|
|  | Double mounting bracket made of plastic for mounting of pipes with a diameter of 45 ... 55 mm (Screws and nuts made of stainless steel V2A) (2 pieces) | 254932 |
|  | Set of mounting plate Art. no. 254494 and mounting bracket Art. no. 252940 | 248100 |
|  | Mounting bracket made of stainless steel V4A for fastening on surfaces (2 pieces) | 252940 |
|  | Mounting bracket made from galvanised sheet steel (x 2 units); for design size 1 | 120535 |
|  | Mounting plate made of stainless steel V4A for terminal box Ex e Series 8010 (for example Art. No. 130724) for fastening on mounting bracket Art. No. 252940 | 254494 |
| Mounting bracket and magnet | | Art. No. |
|  | Mounting bracket made from galvanised sheet steel with magnetic base (x 2 units); for design size 1 | 120536 |

We reserve the right to make alterations to the technical data, dimensions, weights, designs and products available without notice. The illustrations cannot be considered binding.