



- Space-saving two-channel variant reduces installation costs
- Easily accessible rotary switch makes adjustment simple
- Can be used up to SIL 2 (IEC 61508)

07 b

## MY R. STAHL 9147A



9147 series vibration transducer power supply units connect vibration, acceleration and speed sensors to analytical systems. The measuring signals are galvanically separated when they are transmitted. They are transmitted at frequencies of up to 50 Hz. These units have already been tested with numerous sensors from well-known manufacturers such as Bently Nevada and are in use in systems across the globe.

	NEC® 500 CE Code Appendix J					
	Class I		Class II		Class III	
Division	1	2	1	2	1	2
Ex interface	•	•	•	•	•	•
Installation in		•				

	CE Code Section 18					
	NEC® 505			NEC® 506		
	Class I					
Zone	0	1	2	20	21	22
Ex interface	•	•	•			
Installation in			•			

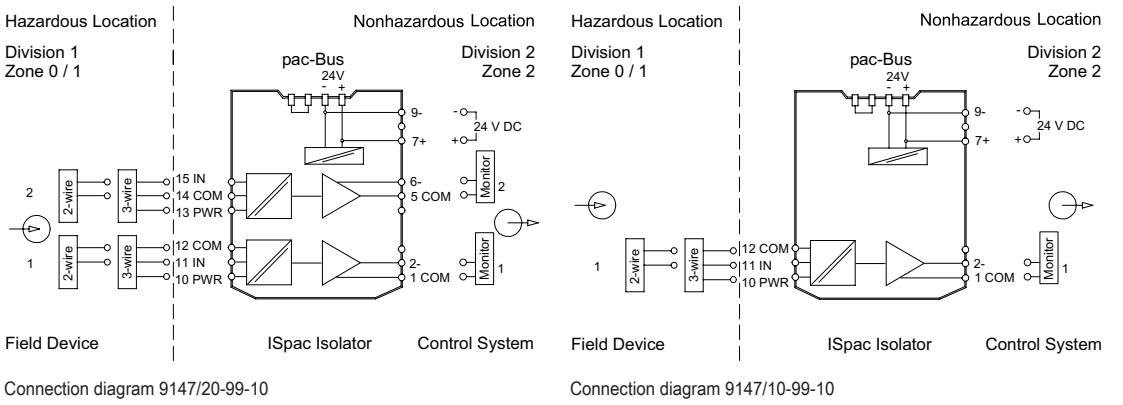
	IECEX / ATEX					
	0	1	2	20	21	22
Zone						
Ex interface	•	•	•	•	•	•
Installation in			•			

Selection Table				
Product variant	Vibration transducer supply unit			
Number of channels	Connection type	Product Type	Art. No.	Weight
1	Screw terminal	9147/10-99-10s	212432	150 g
	Spring clamp terminal	9147/10-99-10k	213112	150 g
2	Screw terminal	9147/20-99-10s	212433	210 g
	Spring clamp terminal	9147/20-99-10k	213113	150 g


Technical Data	
Explosion Protection	
FMus certificate	FM16US0122X
cFM certificate	FM16CA0067X
Marking cFMus	Class I, Div. 2, Groups A,B,C,D; Class I, Zone 2, AEx/Ex nA Group IIC AIS Class I,II,III, Div. 1, Groups A,B,C,D,E,F,G; Class I, Zone 0, [AEx ia]/[Ex ia] IIC T4 at Ta = 70°C See Doc. 9147 6 031 001 1
IECEX gas explosion protection	Ex ec [ia Ga] IIC T4 Gc
IECEX dust explosion protection	[Ex ia Da] IIIC
IECEX firedamp protection	[Ex ia Ma] I
Installation	in Zone 2
Further information	see respective certificate and operating instructions
Certificates	ATEX (BVS), Canada (FM), China (NEPSI), IECEX (BVS), India (PESO), Korea (KTL), SIL (exida), USA (FM)

Technical Data	
Explosion Protection	
Ship approval	CCS, EU RO MR (DNV)
Safety Data	
Max. voltage $U_0/V_{oc}$	26.3 V
Max. current $I_0/I_{sc}$	88.3 mA
Max. power $P_0$	579 mW
Safety-related max. voltage	253 V
Functional Safety	
SIL	2
Electrical Data	
Output current for 2-wire operation	2.6/4.3/7.9 mA at -10 V
Output current for 3-wire operation	10 mA at -20 V; 20 mA at -17 V
Auxiliary Power	
Auxiliary power	24 V DC
Max. power dissipation	1.4 W
Input	
Input signal	-20 to -0.5 V
Function range input	-24 – 0 V
Input resistance	10 k $\Omega$
Output	
Output signal	-20 to -0.5 V
Signal transmission frequency range	0-50 kHz
Ambient Conditions	
Ambient temperature °F	-4°F ... +158°F (Single device) -4°F ... +140°F (Group assembly)
Ambient temperature °C	-20 °C ... +70 °C (Single device) -20 °C ... +60 °C (Group assembly)
Storage temperature °F	-40°F ... +176°F
Storage temperature °C	-40 °C ... +80 °C
Mounting / Installation	
Mounting type	DIN rail NS35/15, NS35/7.5

### Technical Drawings – Subject to Alterations

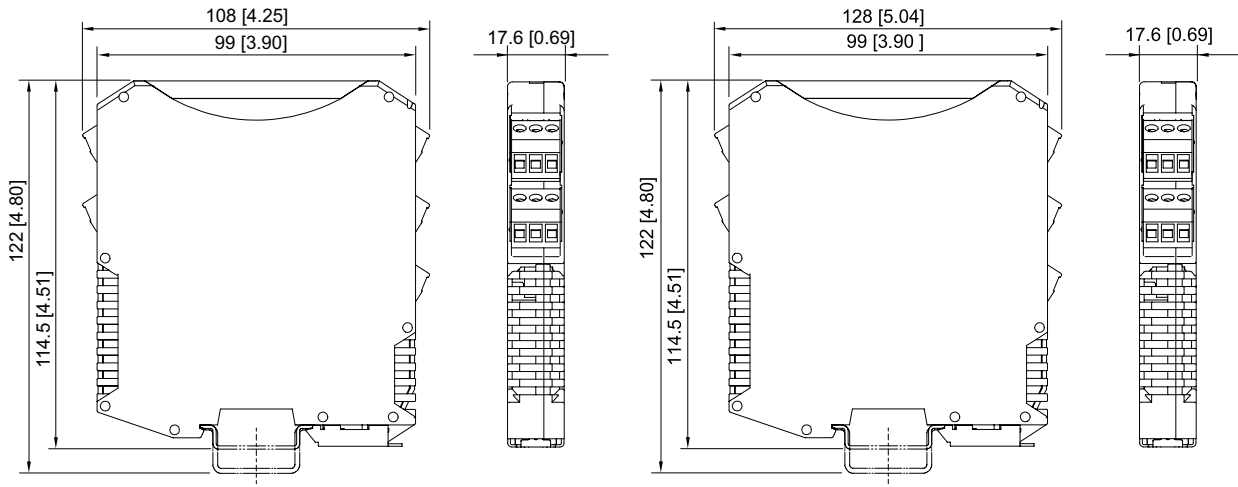


## Accessories

Figure	Description	Art. No.	Weight
Transparent cover			
	For 91xx ISpac modules Yellow, transparent Clear identification of the device for SIL applications. (Packaging unit: 10 pieces)	200914	20 g

## Spare Parts

Figure	Description	Art. No.	Weight
Screw terminal			
	3-pole plug, screw connector thread: M3 stripping length: 7 mm color: green	112817	5 g
	3-pole plug, screw connector thread: M3 stripping length: 7 mm color: black	112816	4 g
	3-pole plug, screw connector thread: M3 stripping length: 7 mm color: blue	112818	5 g
Screw terminal with test tap			
	3-pole plug with test tap, screw connector thread: M3 stripping length: 7 mm colour: black	113005	1 g
	3-pole plug with test tap, screw connector thread: M3 stripping length: 7 mm colour: blue	113004	1 g
Spring clamp terminal			
	3-pole plug with test tap, spring clamp connection stripping length: 10 mm color: green	112825	5 g
	3-pole plug with test tap, spring clamp connection stripping length: 10 mm color: black	112824	5 g
	3-pole plug with test tap, spring clamp connection stripping length: 10 mm color: blue	112826	5 g



ISpac Series 9143, 9146, 9147, 9160, 9162, 9163, 9165, 9167, 9170, 9172, 9175, 9176, 9180, 9182, 9193, ISbus Series 9412 with screw terminal

ISpac Series 9146, 9147, 9160, 9162, 9163, 9165, 9167, 9170, 9172, 9175, 9176, 9180, 9182, 9193, Fieldbus Power Supply Series 9412 with spring clamp terminal