

Isolator Barriers

Transmitter supply unit

Ex i field circuit

9260/23-11-10s Art. No. 261386



- Universal use for transmitters
- Slim design – 12.5 mm wide – for one- and two-channel versions
- Can be used for safety levels up to SIL 2 (IEC/EN 61508)

WebCode 9260A



Series 9260 Ex i transmitter supply units can be used for the intrinsically safe operation of transmitters. The device allows HART signals to be transmitted in both directions. The portfolio includes one- and two-channel devices and a variant for signal duplication.

Technical Data

Explosion Protection	
Application range (Zones)	2
Ex interface zone	0 1 2 20 21 22
IECEX gas certificate	IECEX BVS 17.0082X
IECEX gas explosion protection	Ex nA [ia Ga] IIC T4 Gc
IECEX dust certificate	IECEX BVS 17.0082X
IECEX dust explosion protection	[Ex ia Da] IIIC
ATEX gas certificate	BVS 17 ATEX E 090 X
ATEX gas explosion protection	⊕ II 3 (1) G Ex nA [ia Ga] IIC T4 Gc
ATEX dust certificate	BVS 17 ATEX E 090 X
ATEX dust explosion protection	⊕ II (1) D [Ex ia Da] IIIC
cULus certificate	E81680
Marking cULus	Class I, Div. 2, Groups A,B,C,D; Class I, Zone 2, AEx/Ex nA Group IIC AIS Class I,II,III, Div. 1, Groups A,B,C,D,E,F,G; Class I, Zone 0, [Ex ia] IIC T4 any mounting pos. Ta = 60°C See Doc. 9260 6 031 001 3
Certificates	ATEX (BVS), Canada / USA (UL), IECEX (BVS), Korea (KTL), SIL (BVS)
Ship approval	DNV
Notes	CCC, UKCA and metrological certificate available from 2022 onward
Safety Data	
Max. voltage U_o/V_{oc}	25.2 V
Max. current I_o/I_{sc}	93 mA
Max. power P_o	587 mW

Isolator Barriers

Transmitter supply unit

Ex i field circuit

9260/23-11-10s Art. No. 261386



Safety Data

Max. permissible external capacitance C_j/C_a for IIC	0.107 μ F
Max. permissible external capacitance C_j/C_a for IIB	0.82 μ F
Max. permissible external inductance L_j/L_a for IIC	2 mH
Max. permissible external inductance L_j/L_a for IIB	4 mH
Internal capacitance	Negligible
Internal inductance	Negligible
Safety-related max. voltage	253 V AC

Functional Safety

SIL	2
-----	---

Electrical Data

Number of channels	2
Measuring transformer feed operation	Yes
Isolation amplifier operation	No
LFD relay	No
Communication signal	HART

Auxiliary Power

Auxiliary power	24 V DC
Auxiliary power nominal voltage	24 V DC
Auxiliary power voltage range	19.2 to 30 V
Nominal current	100 mA
Auxiliary power max. power dissipation	1.45 W
Power consumption	2.4 W
Polarity reversal protection	Yes
Operation indication	Green "PWR" LED

Galvanic Isolation

Test voltage as per standard	IEC EN 60079-11
Ex i input to output	375 V peak value
Ex i input to auxiliary power	375 V peak value
Ex i input to Ex i input	60 V
Test voltage as per standard	EN 61010/EN 50178
Output to auxiliary power	300 V _{eff}
Output to output	300 V _{eff}

Input

Input function	Transmitter power unit
Input	4 – 20 mA
Input signal	4 to 20 mA with HART
Function range input	0 ... 24 mA
Short-circuit current	\geq 22.5 mA
Supply voltage for transmitter	\geq 16 V at 20 mA

Output

Output	4 to 20 mA with HART
--------	----------------------

Isolator Barriers

Transmitter supply unit

Ex i field circuit

9260/23-11-10s Art. No. 261386



Output

Output signal	4 to 20 mA active
Function range output	0 – 24 mA
Output A	4 to 20 mA
Output B	4 to 20 mA
Output current at $I_e=0$	0 mA
Max. load resistance R_L	450 Ω
Output residual ripple	< 20 mV _{eff}
Settling time 10-90%	< 200 μ s
Temperature influence error limits	< 0.1% / 10 K
Deviation	\leq 0,1 %
Typical deviation	0.05 %
Behaviour of the output	= input signal

Ambient Conditions

Ambient temperature °C	-20 °C ... +60 °C
Ambient temperature °F	-4 °F ... +140 °F
Storage temperature °C	-40 °C ... +80 °C
Storage temperature °F	-40 °F ... +176 °F
Max. relative humidity	10 to 95%
Use at the height of	< 2000 m
Electromagnetic compatibility	EN 61326-1 Use in industrial environment Immunity according to EN 61000-6-2 Interference emission to EN 61000-6-4

Mechanical Data

Degree of protection (IP)	IP30
Degree of protection (IP) terminals	IP20
Fire resistance (UL 94)	V0
Enclosure material	Polyamide
AWG clamping range	24 – 12
Connection cross-section AWG	24 ... 12
Grid dimension	12.5 mm
Width	12.5 mm
Width, inches	0.49 in
Height	114.5 mm
Length	112.5 mm
Length, inches	4.43 in
Mounting depth, inches	4.51 in
Weight	0.195 kg
Weight	0.43 lb

Mounting / Installation

Mounting type	DIN rail NS35/15, NS35/7.5
Mounting orientation	Horizontal Vertical
Connection type	Screw terminal
Min. rigid conductor cross section	0.2 mm ²
Max. rigid conductor cross section	2.5 mm ²

Isolator Barriers

Transmitter supply unit

Ex i field circuit

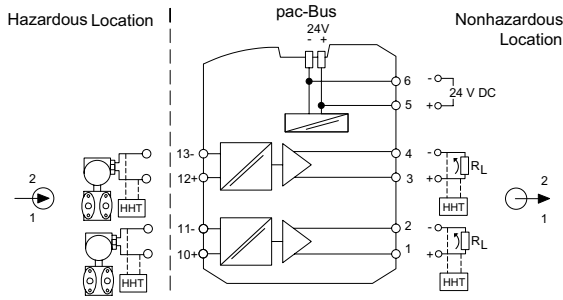
9260/23-11-10s Art. No. 261386



Mounting / Installation

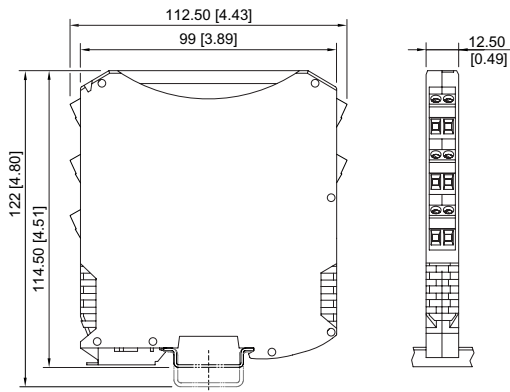
Min. flex conductor cross section	0.2 mm ²
Max. flex conductor cross section	2.5 mm ²

Technical Drawings – Subject to Alterations



Connection diagram 9260/23-11-10


Dimensional Drawings (All Dimensions in mm [inches]) – Subject to Alterations




ISpac Series 9260, 9265, 9270, 9275, 9276, 9282 with screw terminal

Accessories

Supply module

		Art. No.
	Redundant supply of 24 V DC auxiliary power (with fuse) and reading the collective error message for 92xx series ISpac modules which support this function. Connection screw terminal	268183
	Redundant supply of 24 V DC auxiliary power (with fuse) and reading the collective error message for 92xx series ISpac modules which support this function. Connection spring clamp terminal	268184

pac-Bus

		Art. No.
	Wiring for power supply and common error messaging	262928

We reserve the right to make alterations to the technical data, dimensions, weights, designs and products available without notice. The illustrations cannot be considered binding.